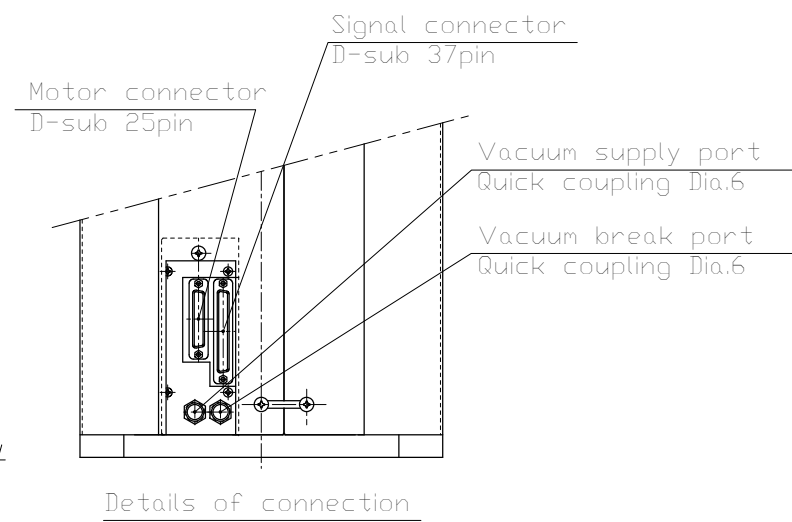
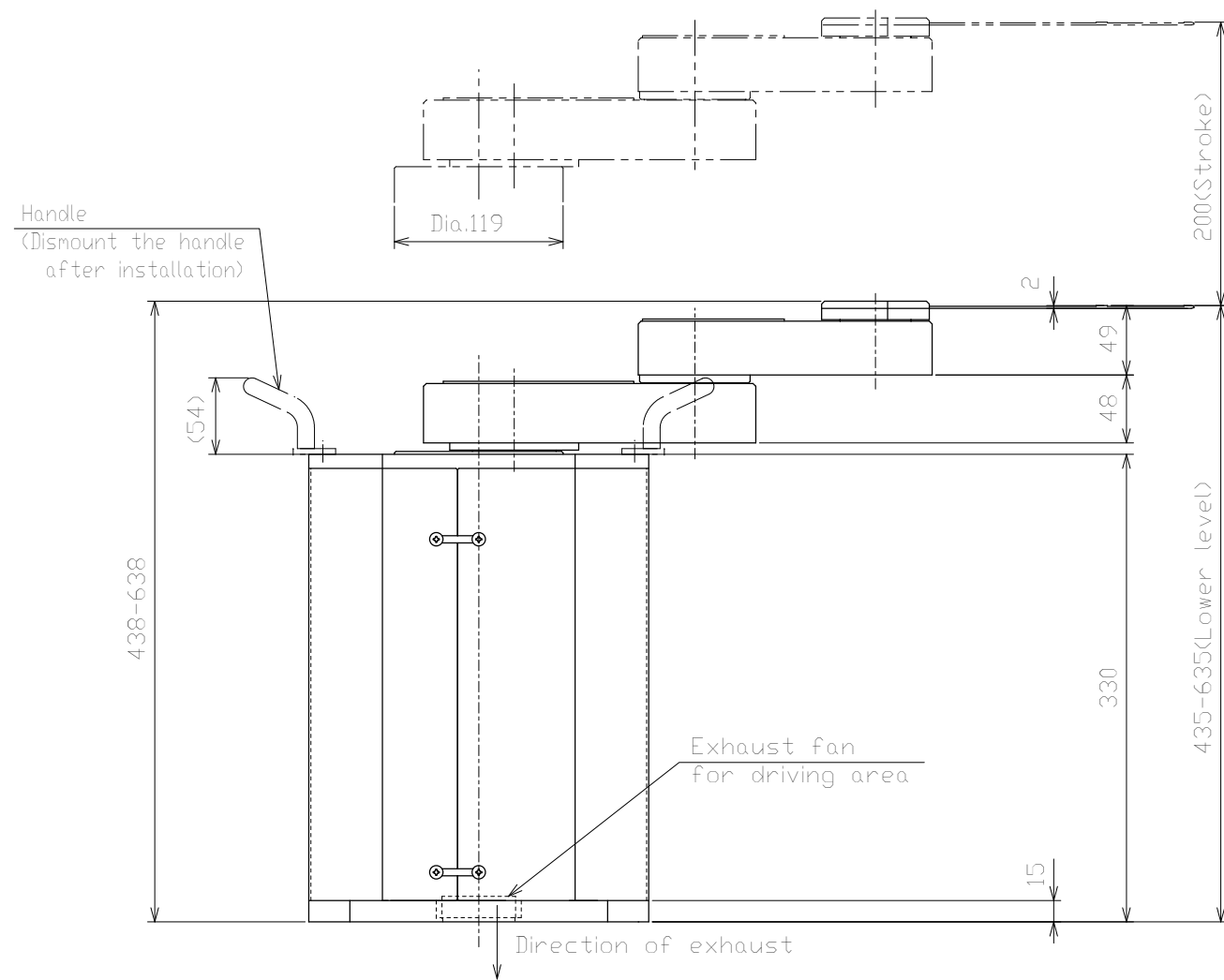
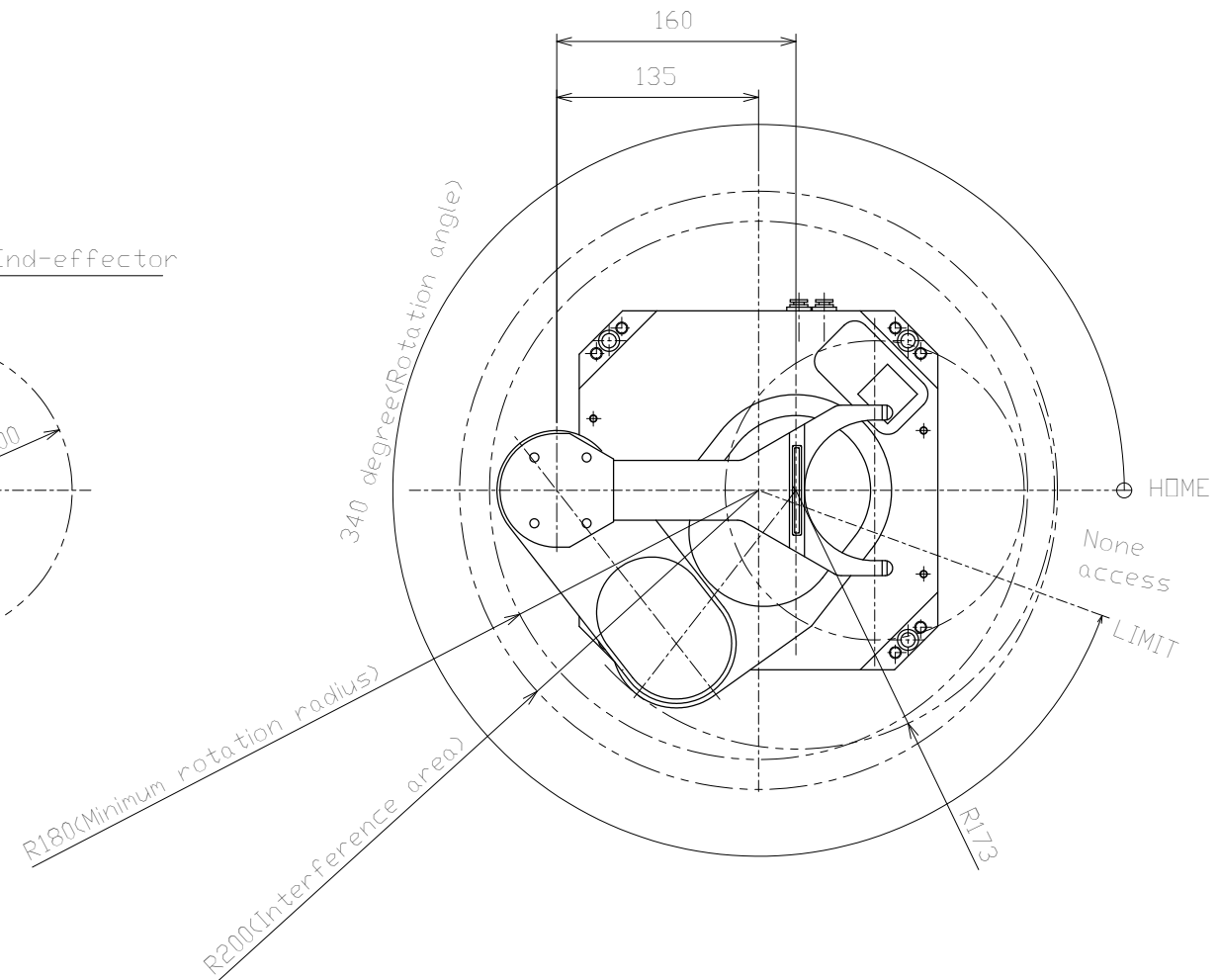
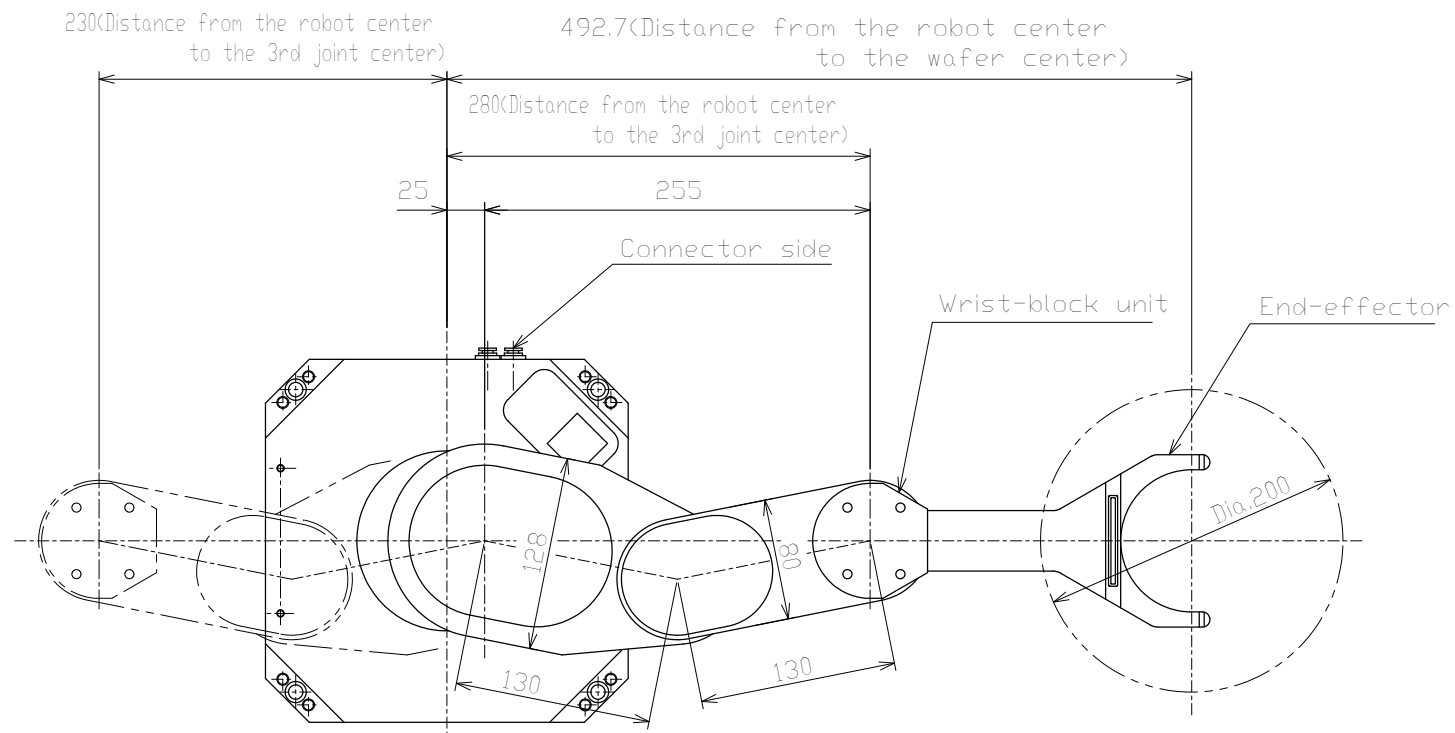


Reference drawing

- × This drawing may be revised without any advance notification.
- × When designing the equipment layout based on this drawing, please confirm with JEL in advance.

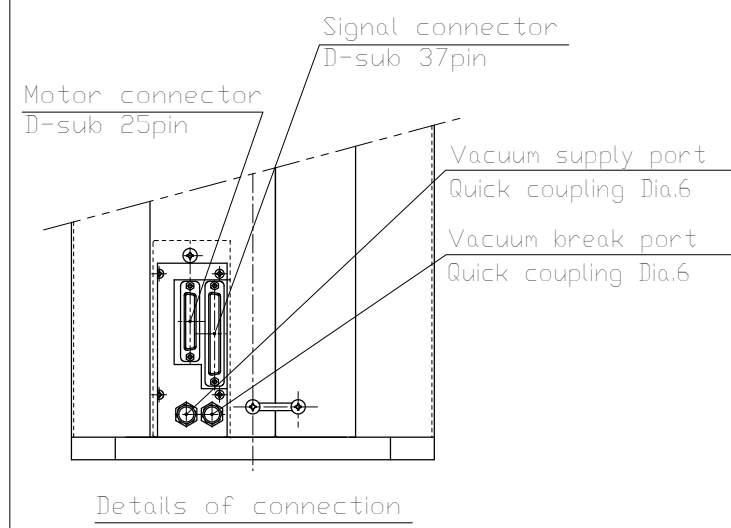
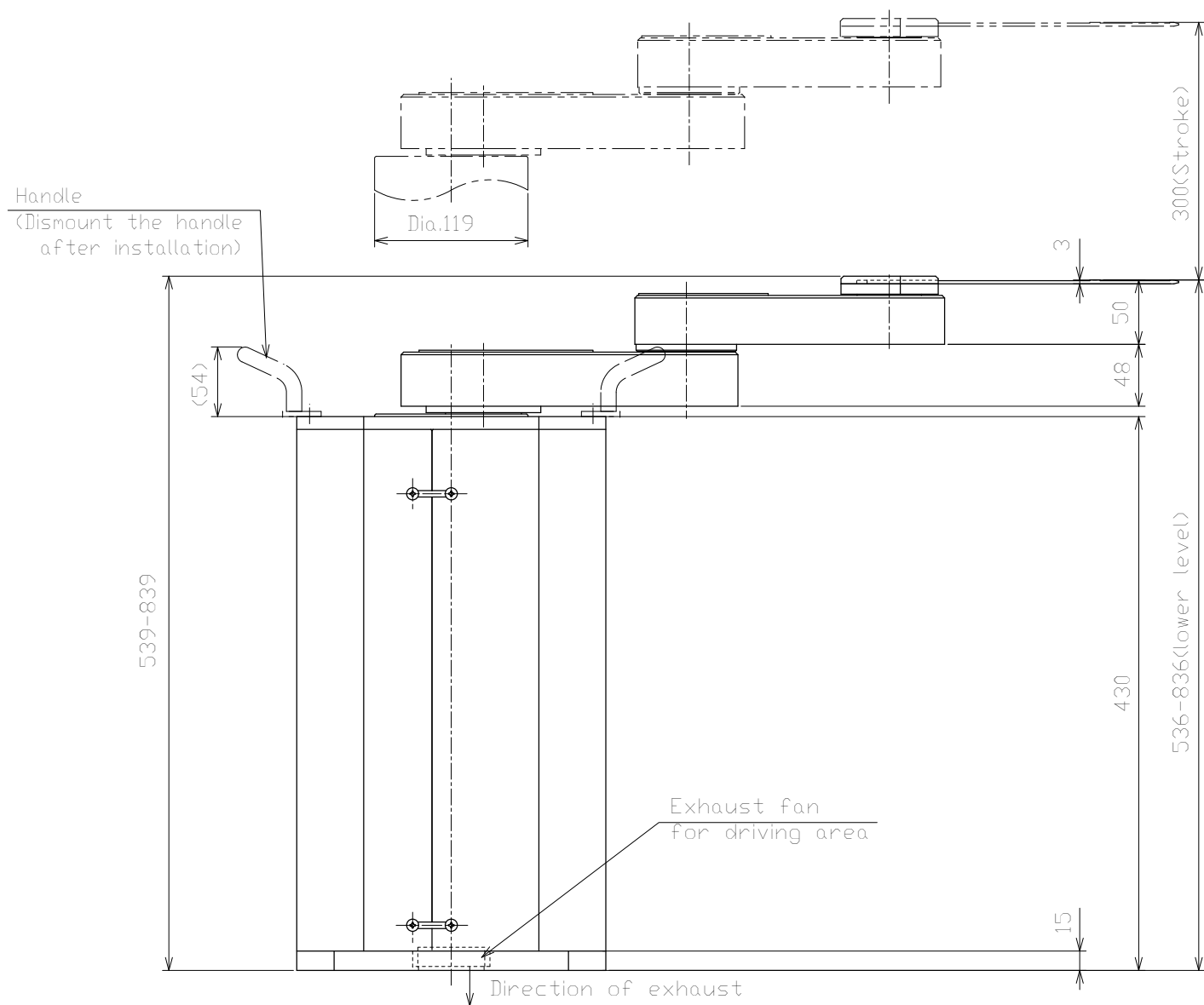
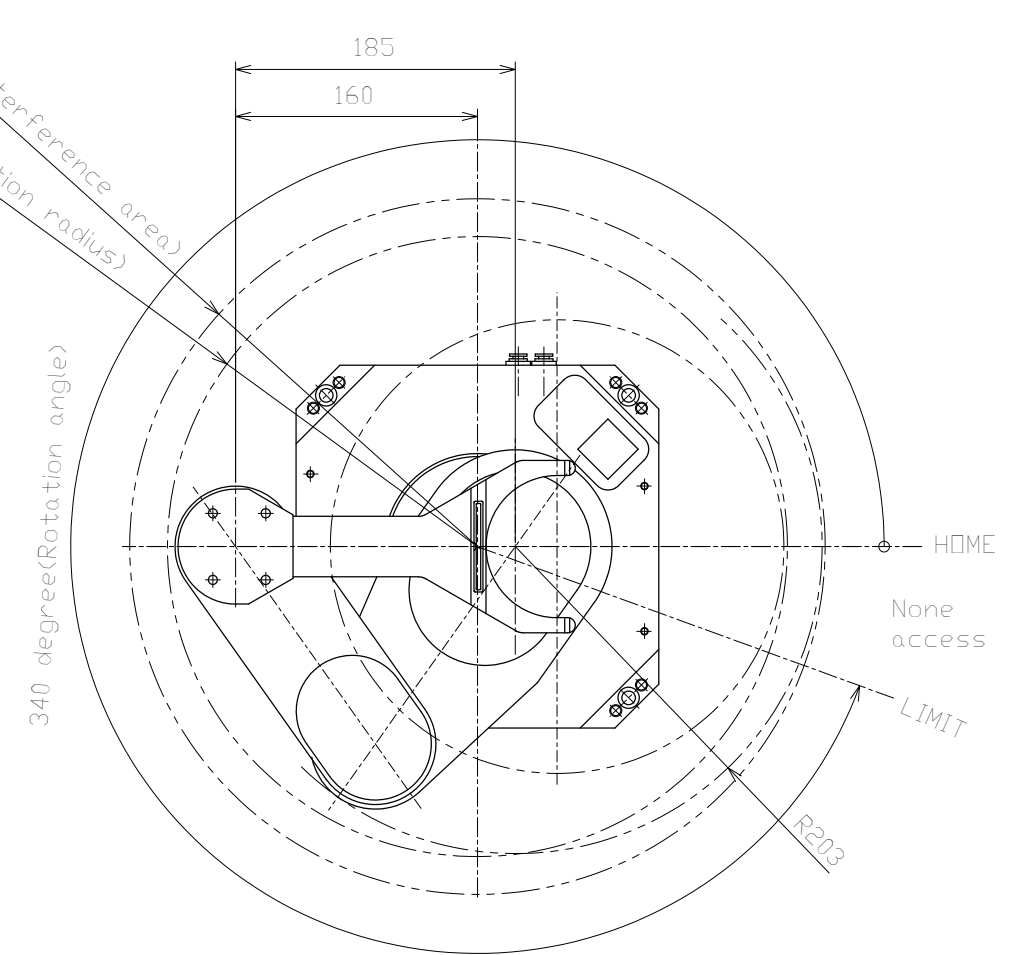
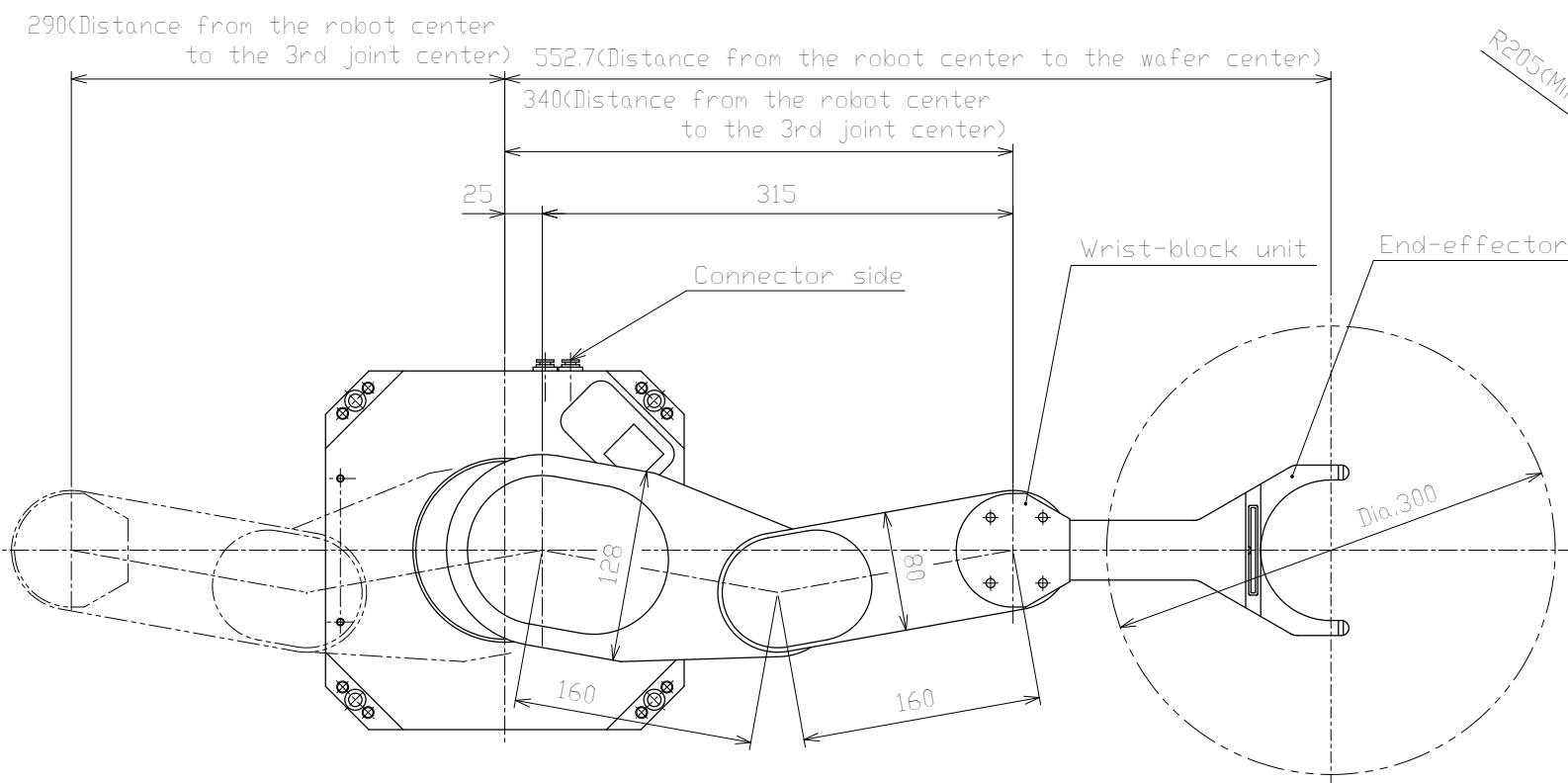
MODEL 型式	SCR3100S-200-PM		
ISSUED NO. 管理番号	WJ0074E	SCALE 尺度	1/5



Reference drawing

- × This drawing may be revised without any advance notification.
- × When designing the equipment layout based on this drawing, please confirm with JEL in advance.

MODEL 型式	SCR3130CS-200-PM		
ISSUED NO. 管理番号	WJ0183E	SCALE 尺度	1/5



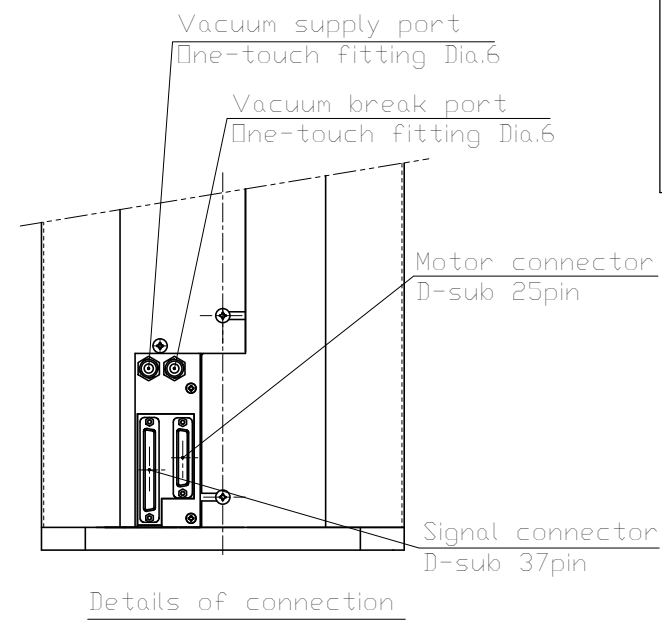
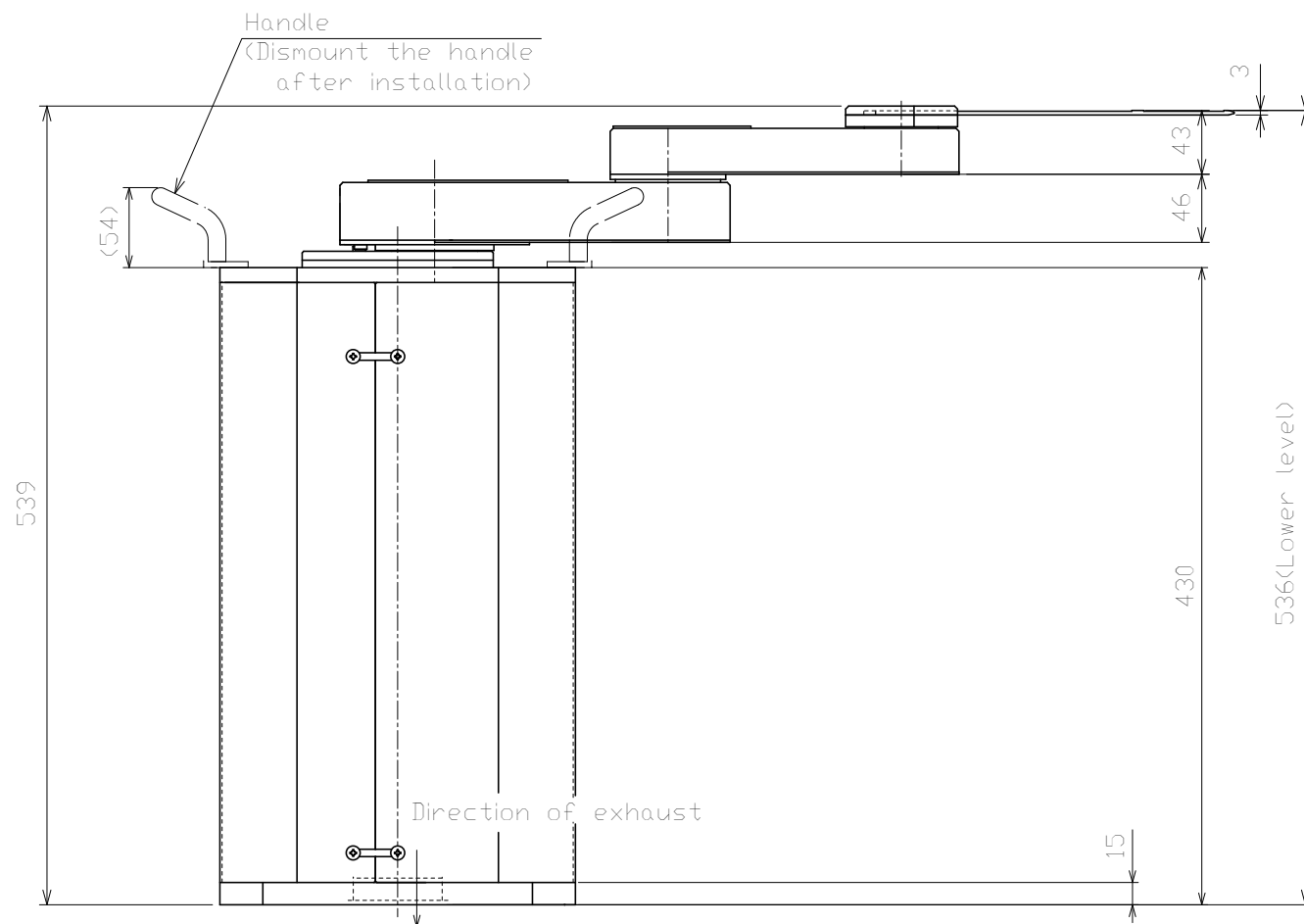
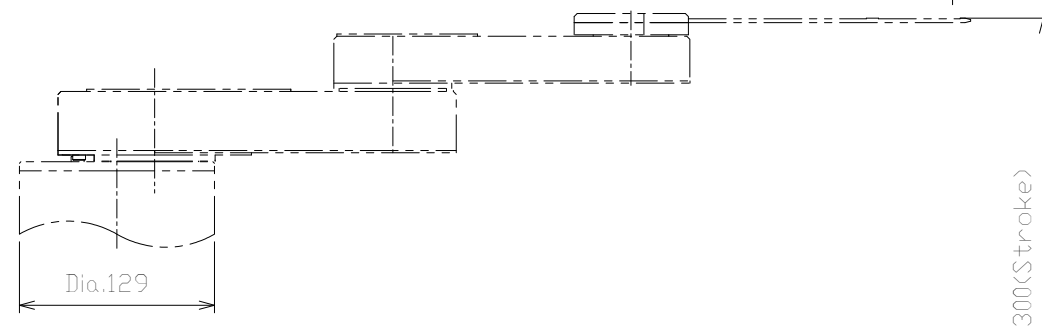
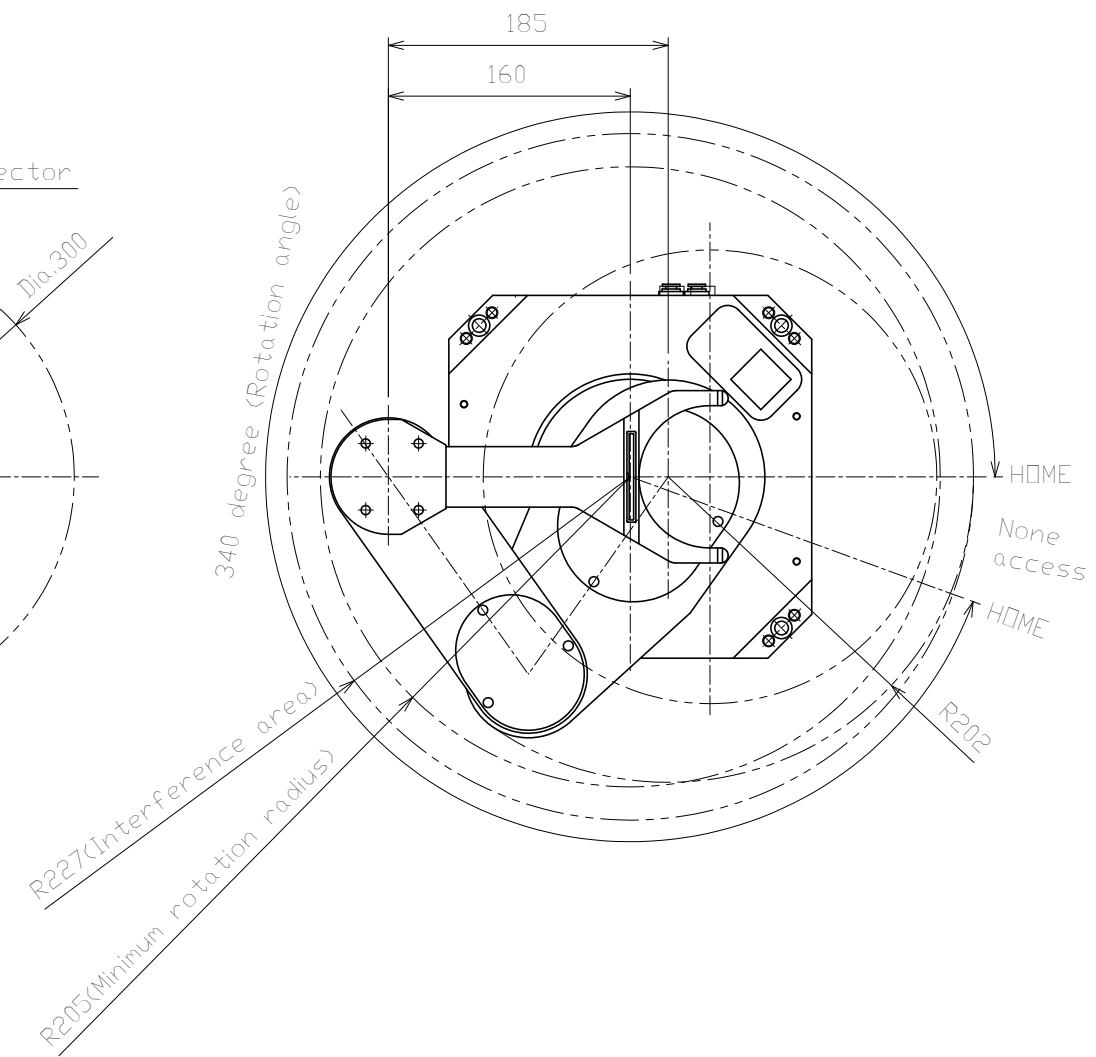
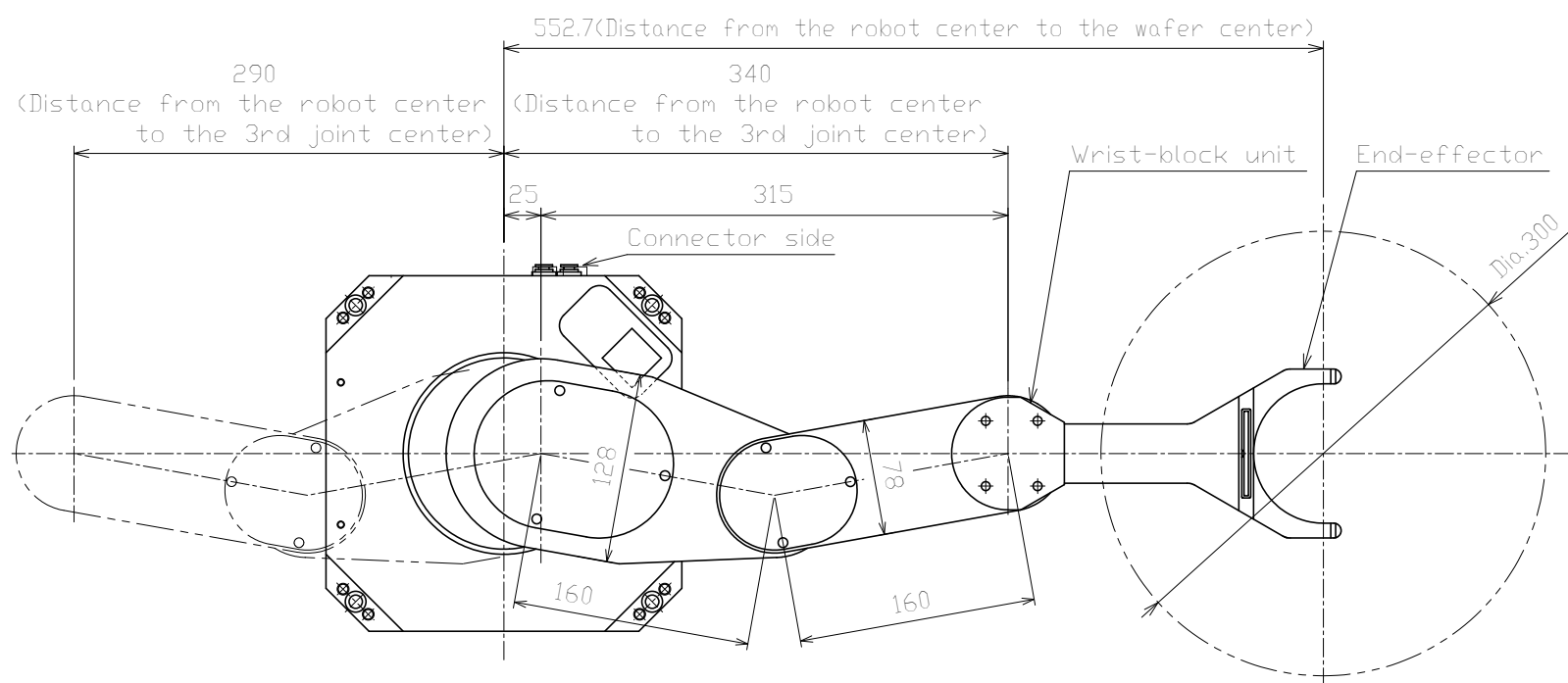
Reference drawing

- * This drawing may be revised without any advance notification.
- * When designing the equipment layout based on this drawing, please confirm with JEL in advance.

本図の内容は、株式会社ジェーイーエルが所有権を有するもので機密扱いとなっております。許可なく複写したり、第三者にこれを公開することのないようお願い致します。
 This drawing and the information contained in it are confidential and property of JEL Corporation. Thus cannot be copied or disclosed to a third party without the consent of JEL Corporation.

JEL JEL Corporation

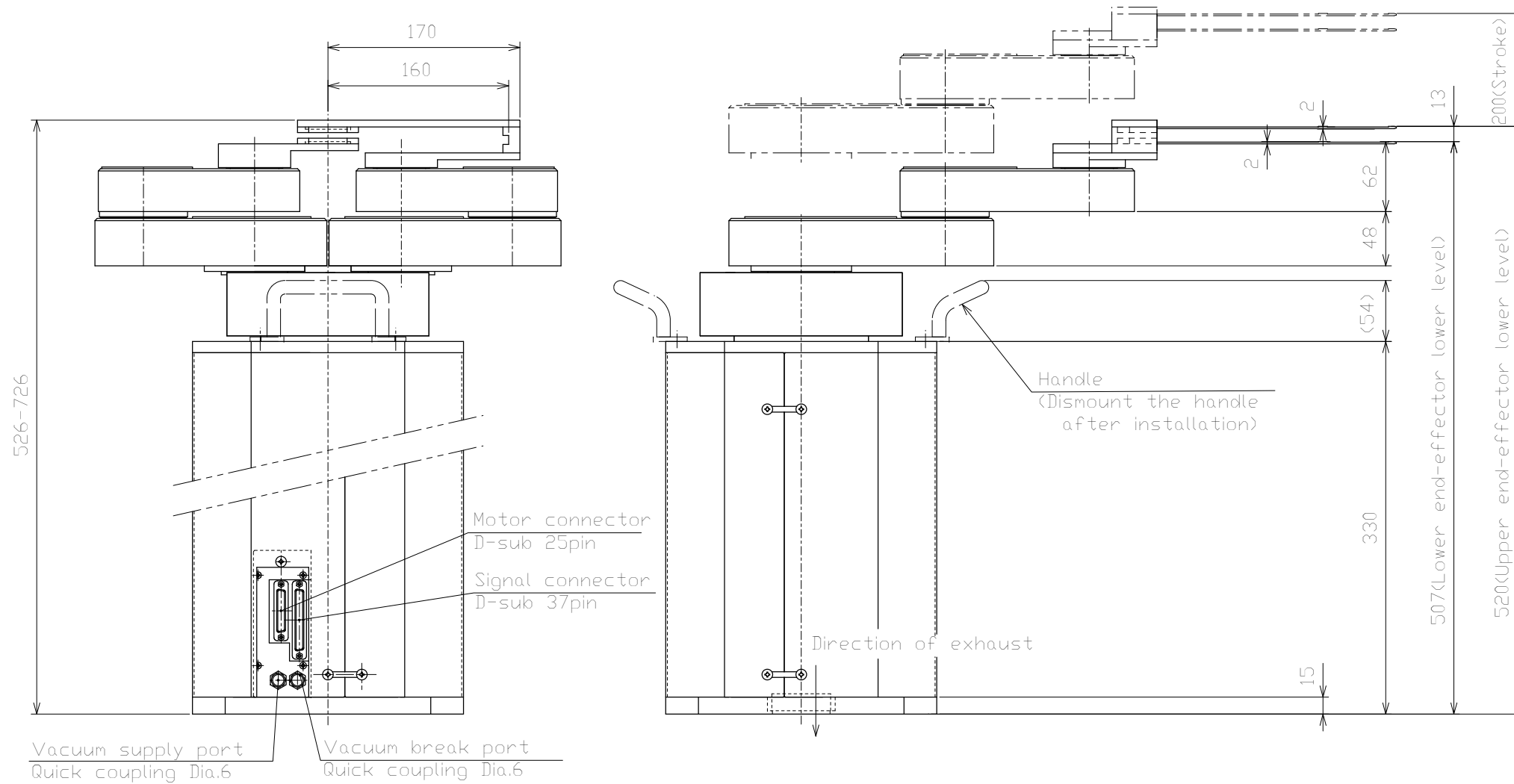
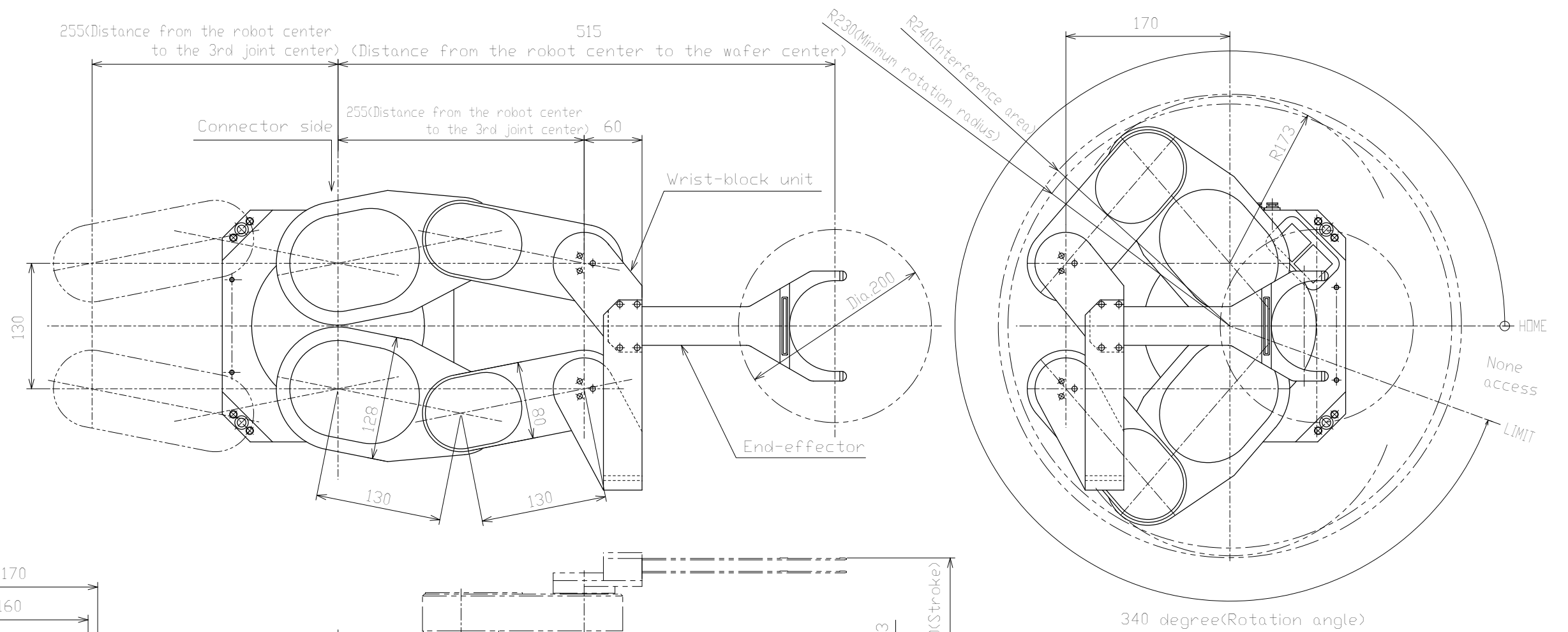
MODEL 型式	SCR3160CS-300-PM		
ISSUED NO. 管理番号	WJ0080AE	SCALE 尺度	1/5



Reference drawing

- × This drawing may be revised without any advance notification.
- × When designing the equipment layout based on this drawing, please confirm with JEL in advance.

MODEL 型式	SCR3160CSN-300-CM		
ISSUED NO. 管理番号	WJ0206E	SCALE 尺度	1/5



Reference drawing

- * This drawing may be revised without any advance notification.
- * When designing the equipment layout based on this drawing, please confirm with JEL in advance.

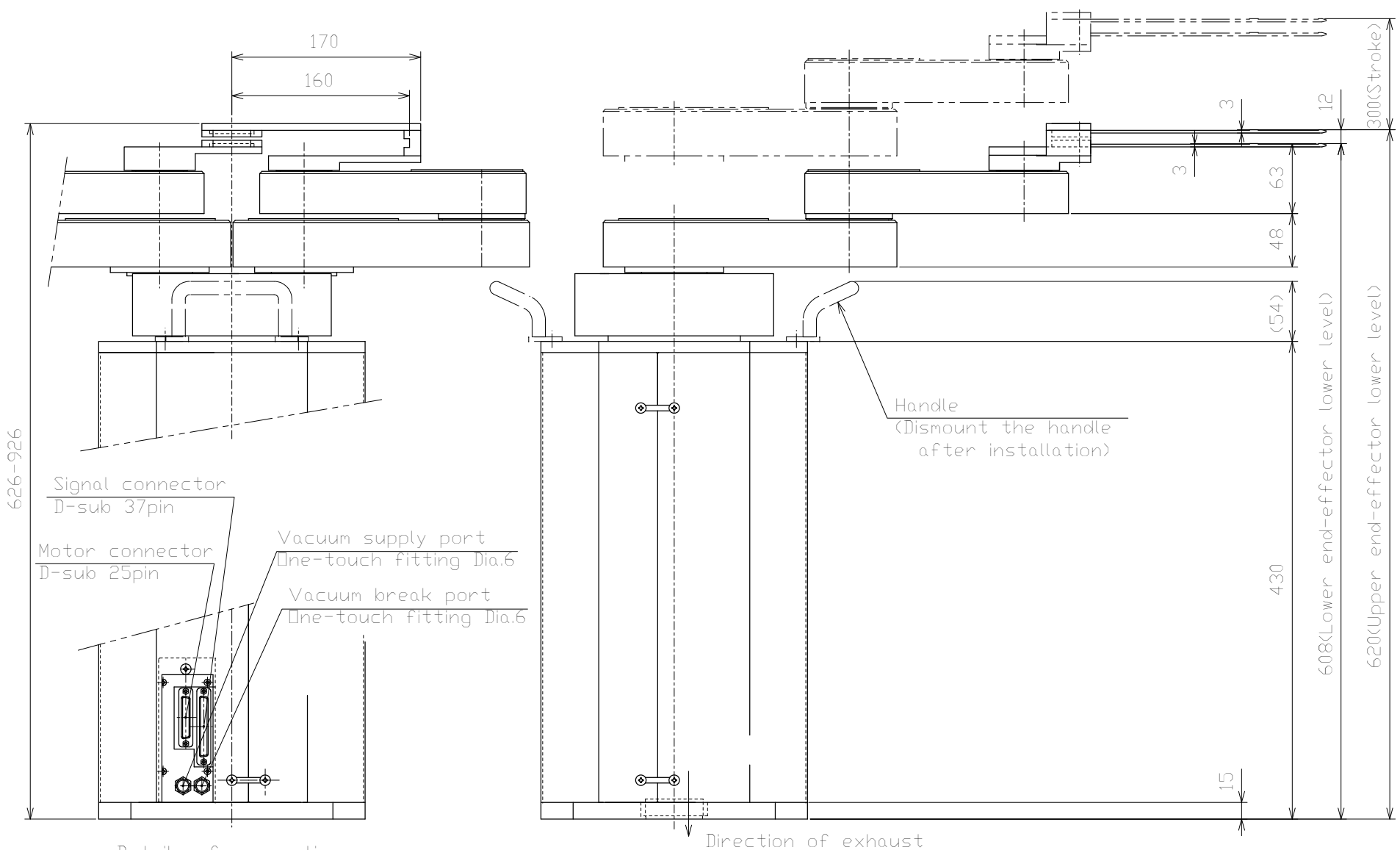
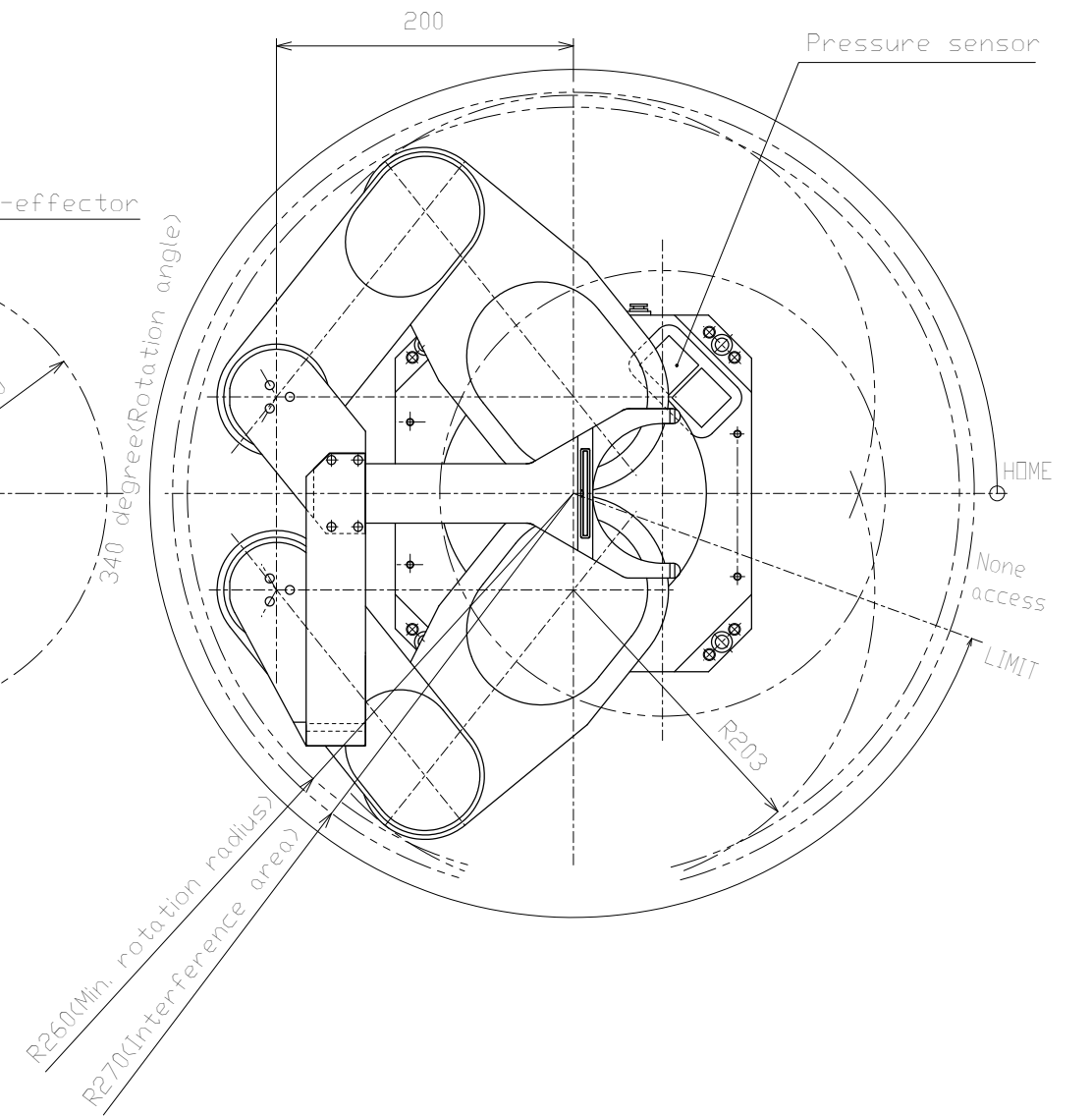
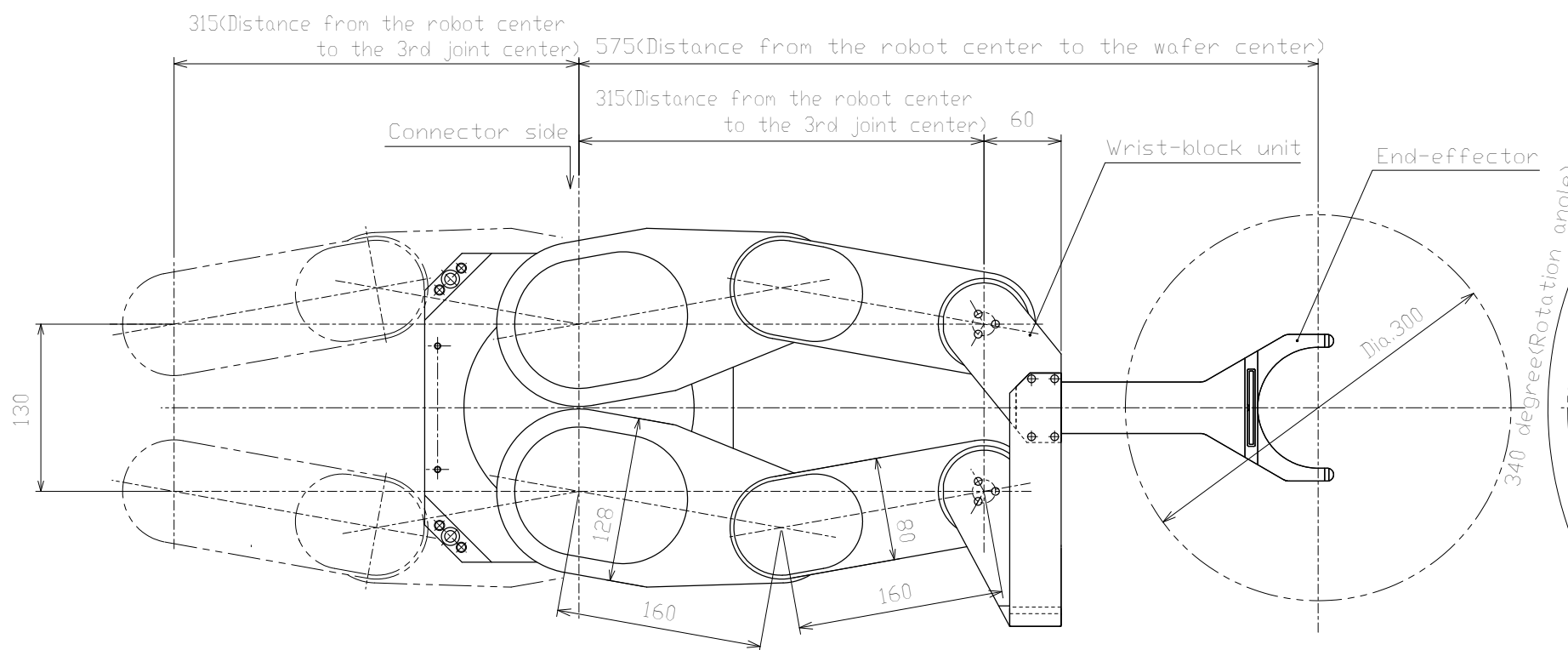
Details of connection

Vacuum supply port Quick coupling Dia.6
 Vacuum break port Quick coupling Dia.6

本図の内容は、株式会社ジェーイーエルが所有権を有するもので機密扱いとなっております。許可なく複写したり、第三者にこれを公開することのないようお願い致します。
 This drawing and the information contained in it are confidential and property of JEL Corporation. Thus cannot be copied or disclosed to a third party without the consent of JEL Corporation.

JEL JEL Corporation

MODEL 型式	STCR4130S-200-PM		
ISSUED NO. 管理番号	WJ0187E	SCALE 尺度	1/5



Details of connection

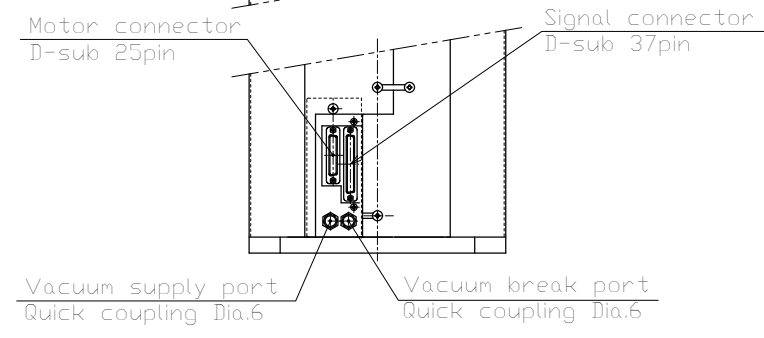
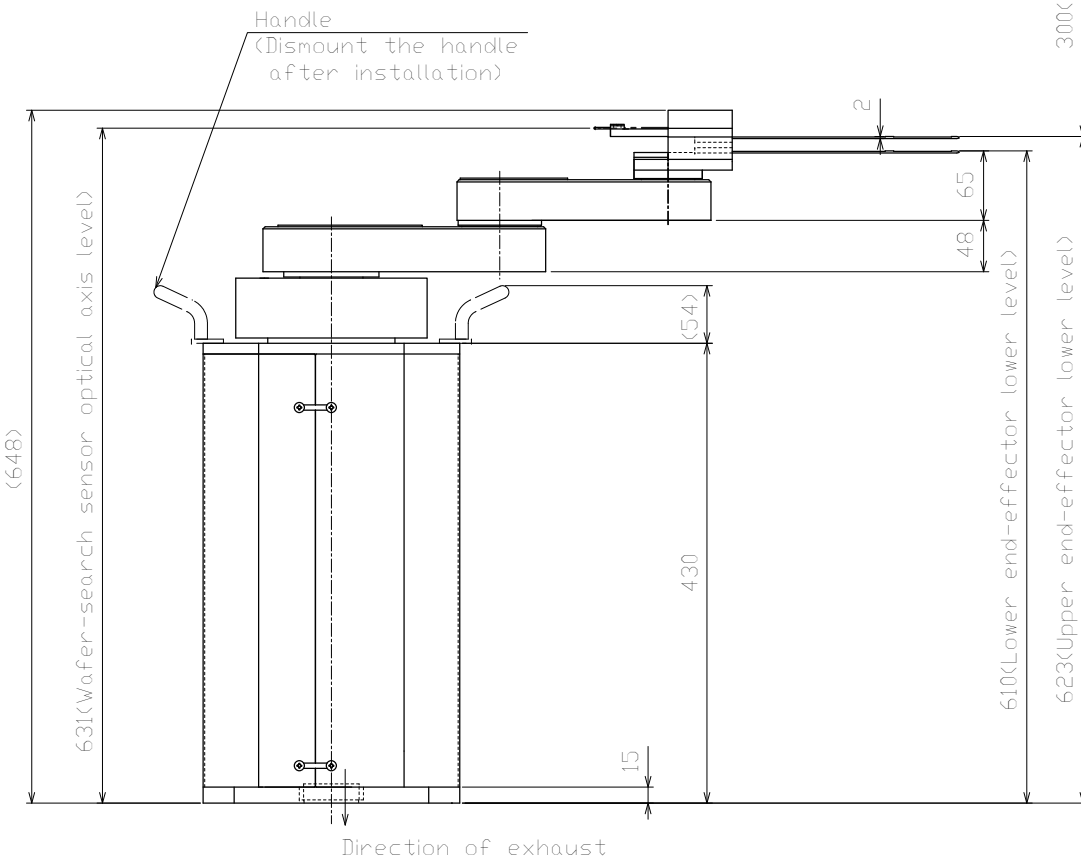
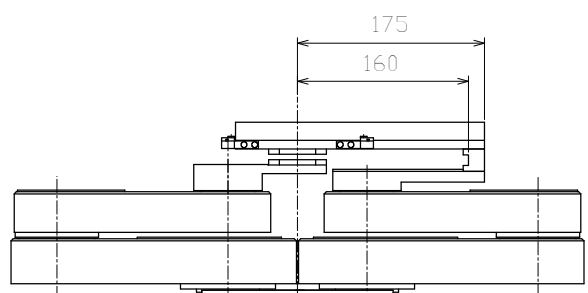
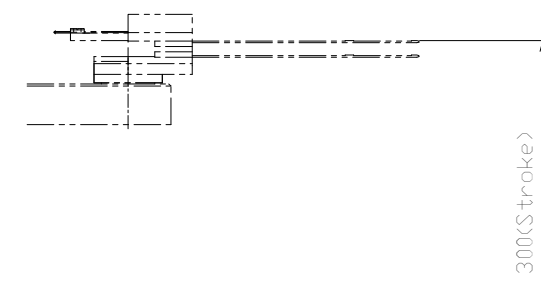
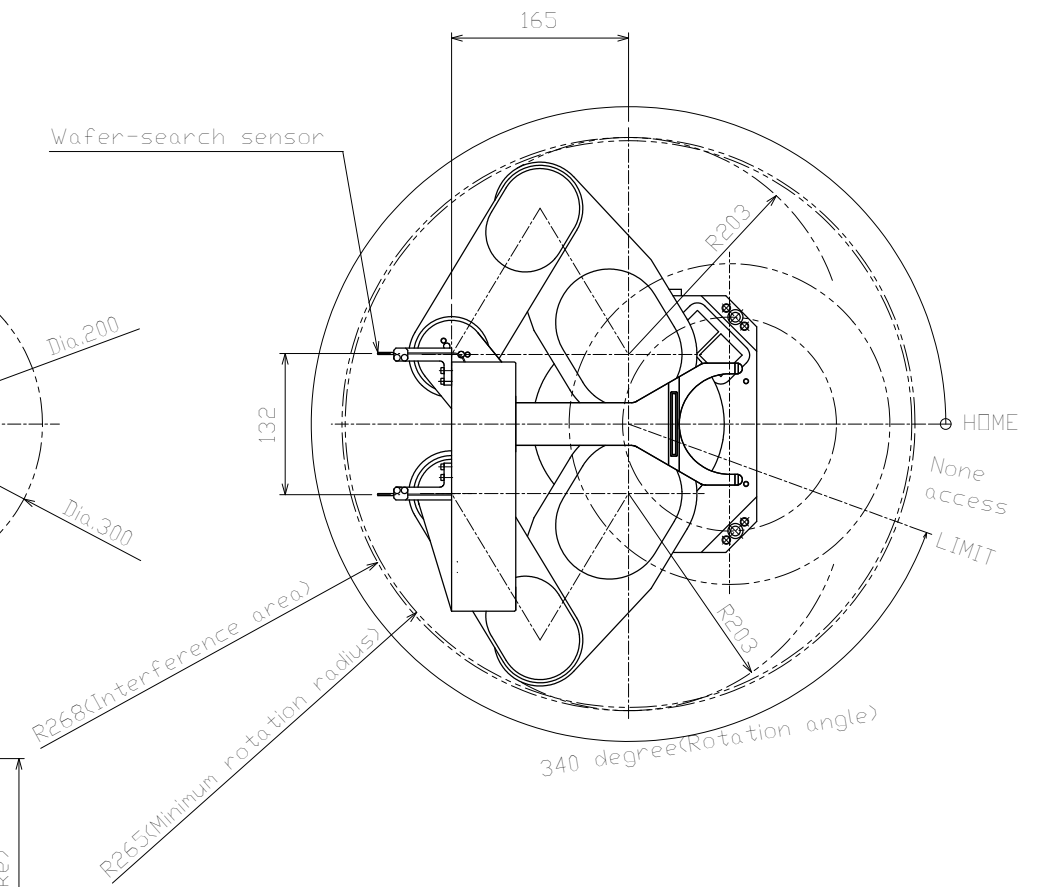
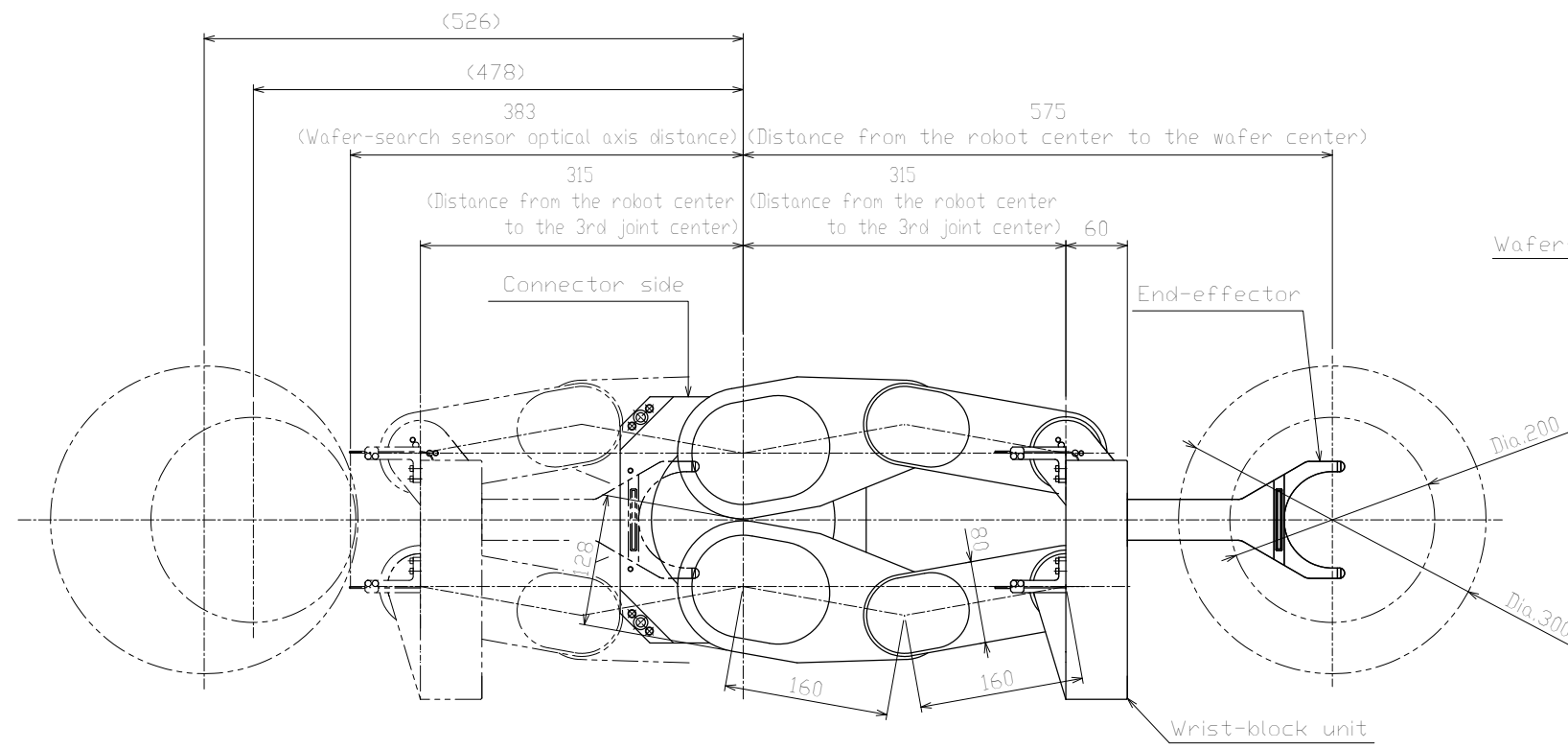
Reference drawing

- * This drawing may be revised without any advance notification.
- * When designing the equipment layout based on this drawing, please confirm with JEL in advance.

本図の内容は、株式会社ジェーイーエルが所有権を有するもので機密扱いとなっております。許可なく複写したり、第三者にこれを公開することのないようお願い致します。
 This drawing and the information contained in it are confidential and property of JEL. Thus cannot be copied or disclosed to a third party without the consent of JEL.

JEL JEL Corporation

MODEL 型式	STCR4160S-300-PM		
ISSUED NO. 管理番号	WJ0101E	SCALE 尺度	1/5



Details of connection

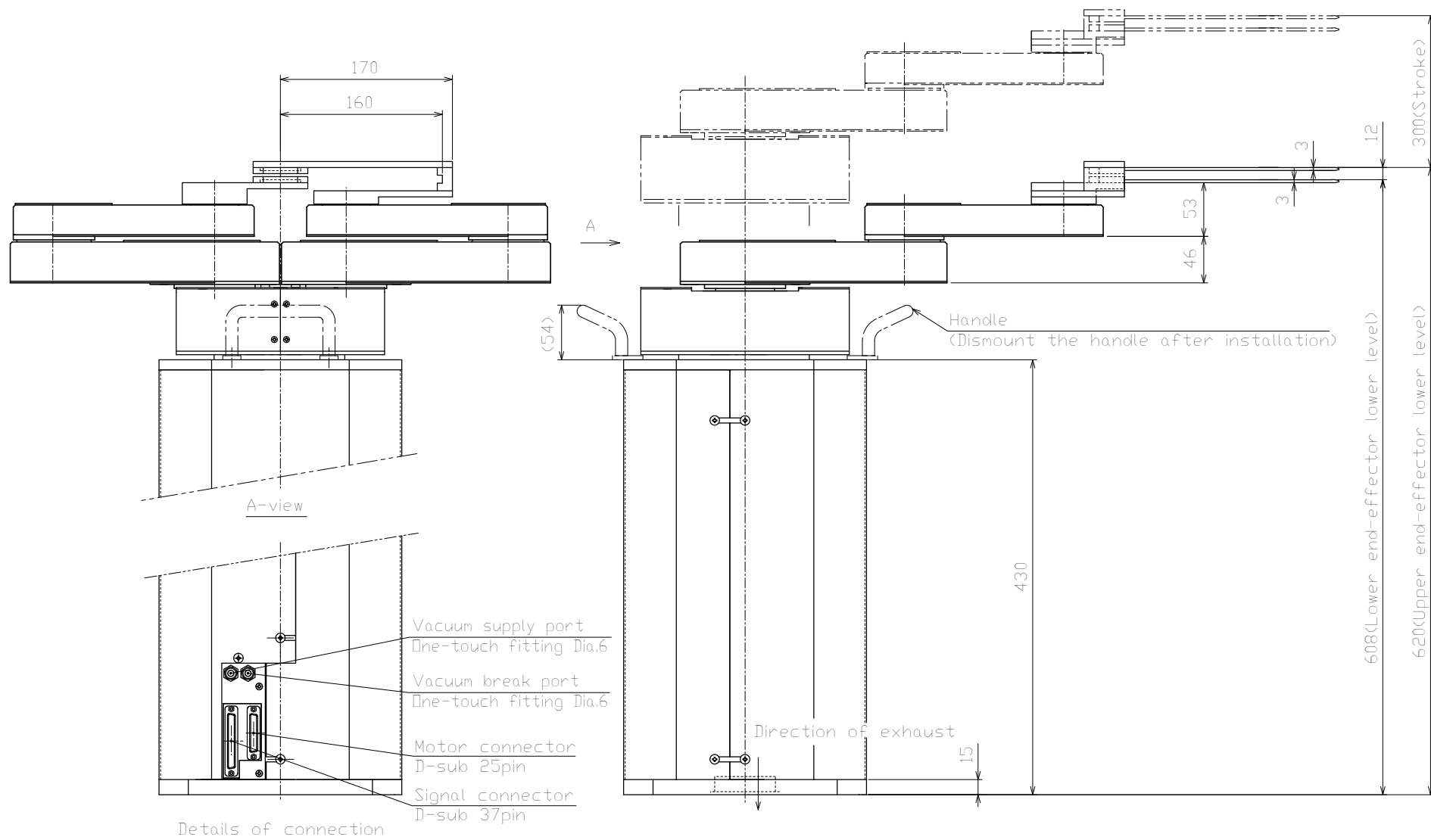
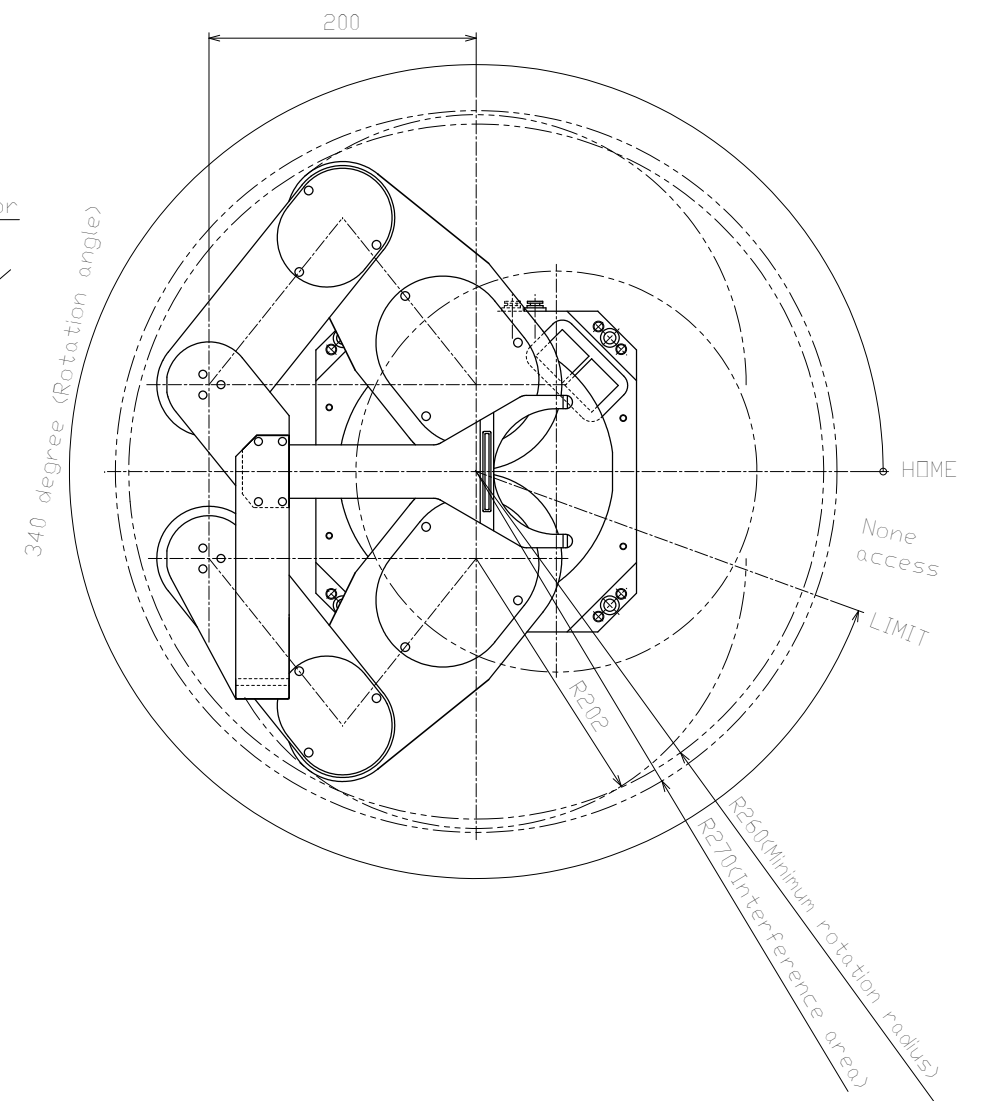
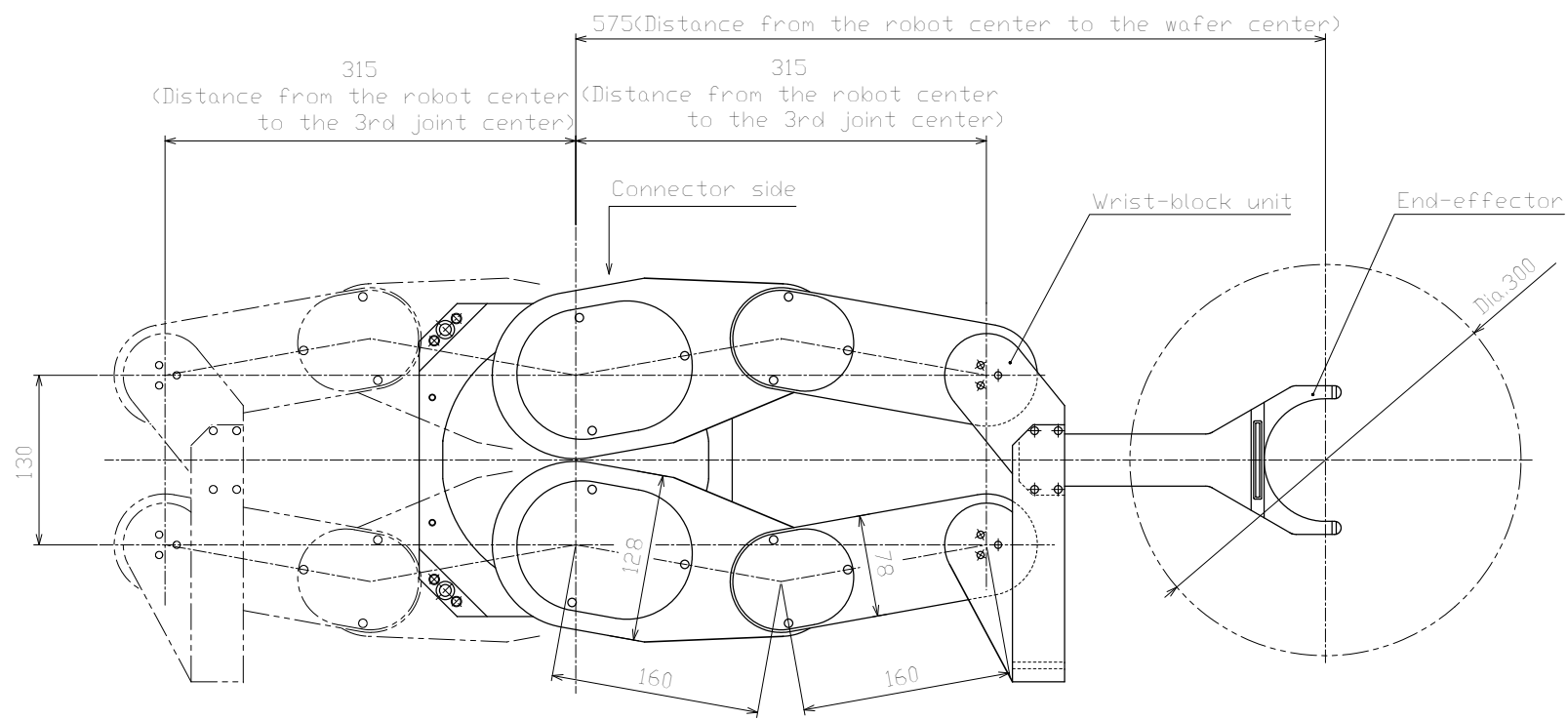
Reference drawing

- × This drawing may be revised without any advance notification.
- × When designing the equipment layout based on this drawing, please confirm with JEL in advance.

本図の内容は、株式会社ジェーイーエルが所有権を有するもので機密扱いとなっております。許可なく複写したり、第三者にこれを公開することのないようお願い致します。
 This drawing and the information contained in it are confidential and property of JEL Corporation. Thus cannot be copied or disclosed to a third party without the consent of JEL Corporation.

JEL JEL Corporation

MODEL 型式	STCR4160S-300-PM		
ISSUED NO. 管理番号	WJ0101ME	SCALE 尺度	1/5



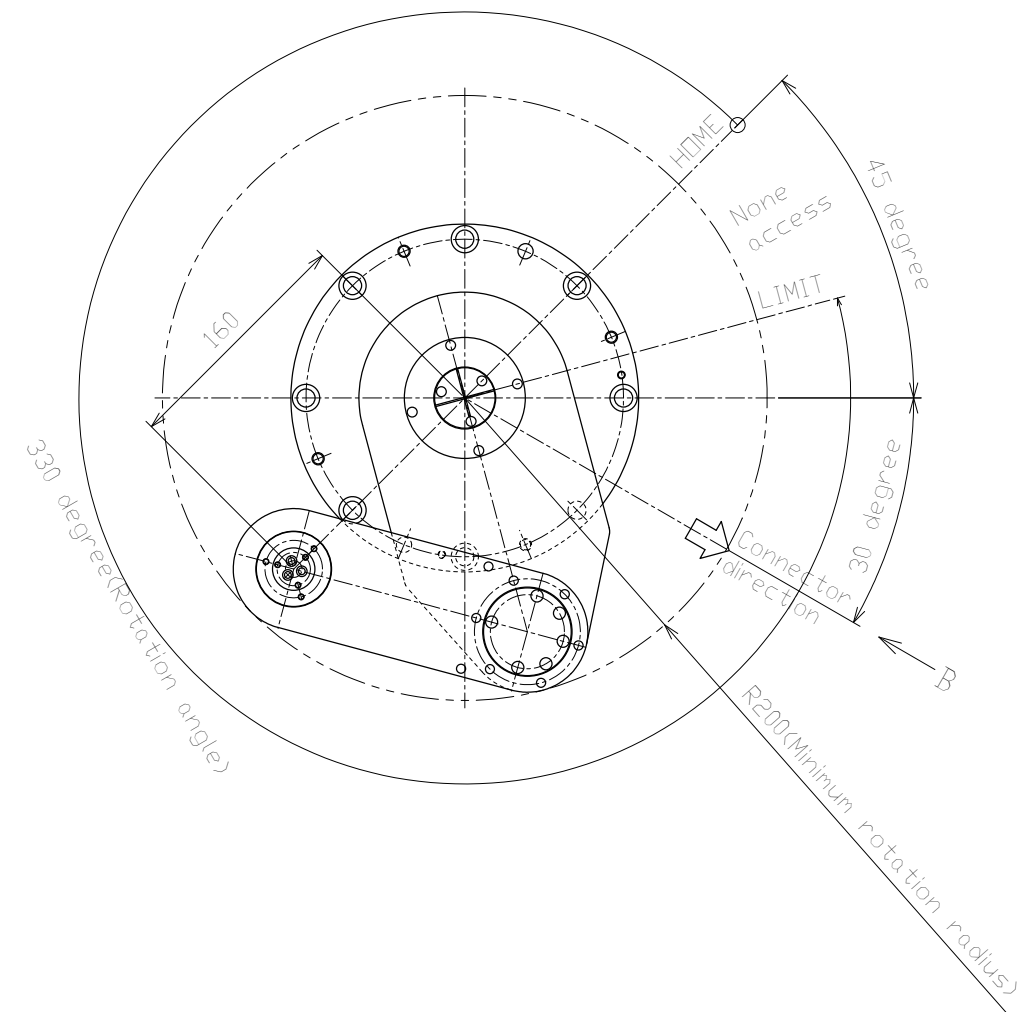
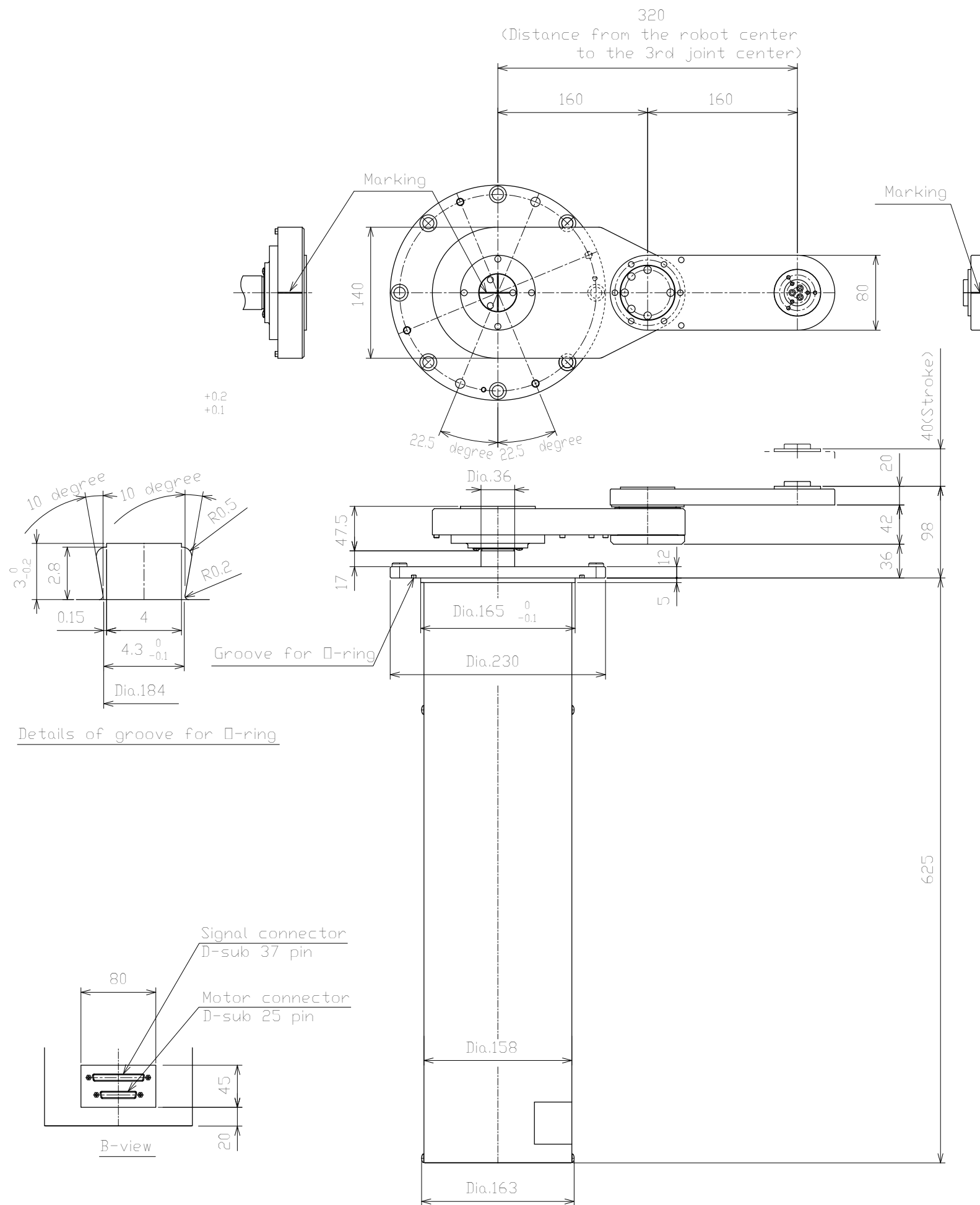
Reference drawing

- * This drawing may be revised without any advance notification.
- * When designing the equipment layout based on this drawing, please confirm with JEL in advance.

本図の内容は、株式会社ジェーイーエルが所有権を有するもので機密扱いとなっております。許可なく複写したり、第三者にこれを公開することのないようお願い致します。
 This drawing and the information contained in it are confidential and property of JEL Corporation.
 Thus cannot be copied or disclosed to a third party without the consent of JEL Corporation.

JEL JEL Corporation

MODEL 型式	STCR4160SN-300-CM		
ISSUED NO. 管理番号	WJ0202E	SCALE 尺度	1/4

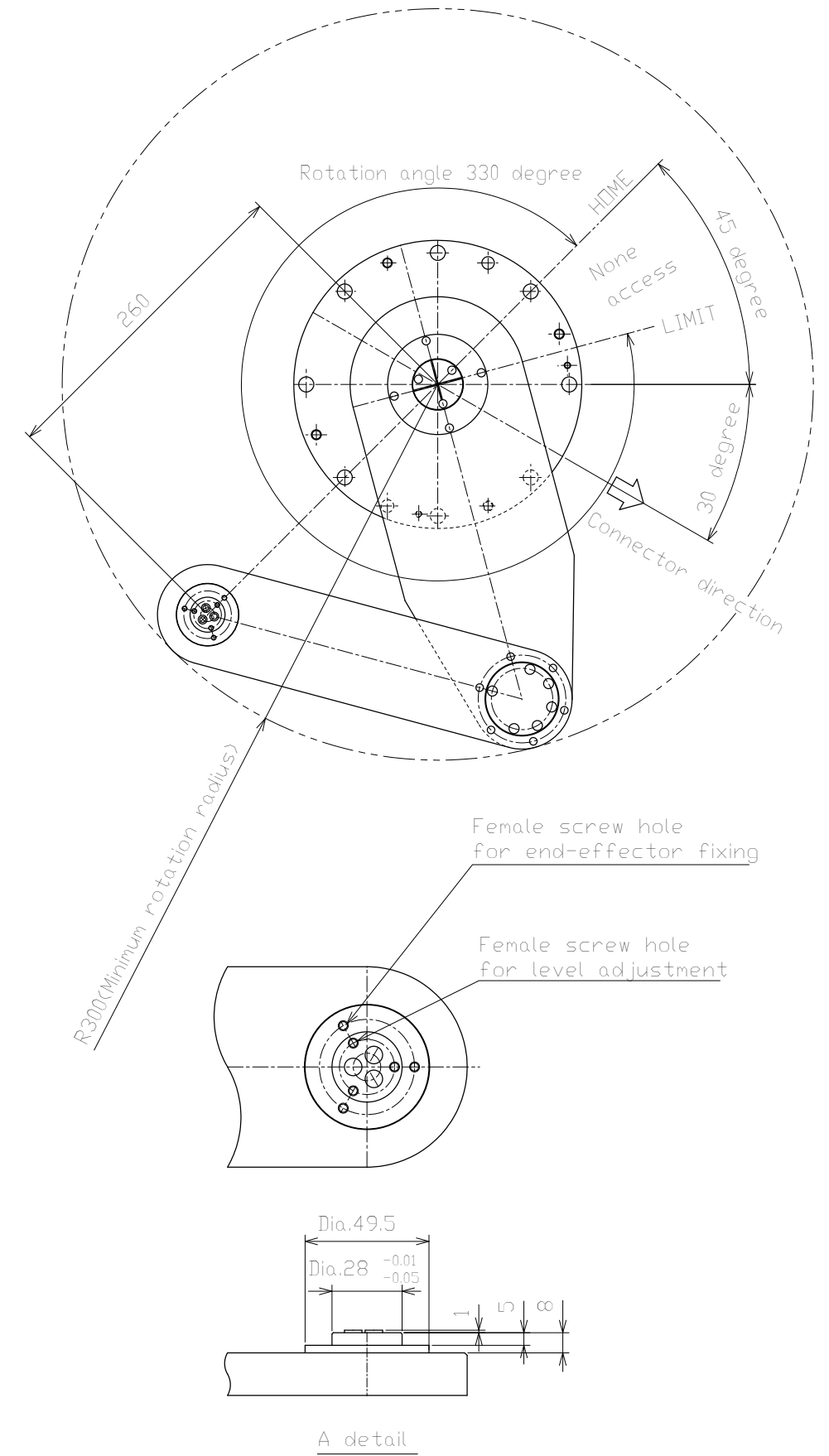
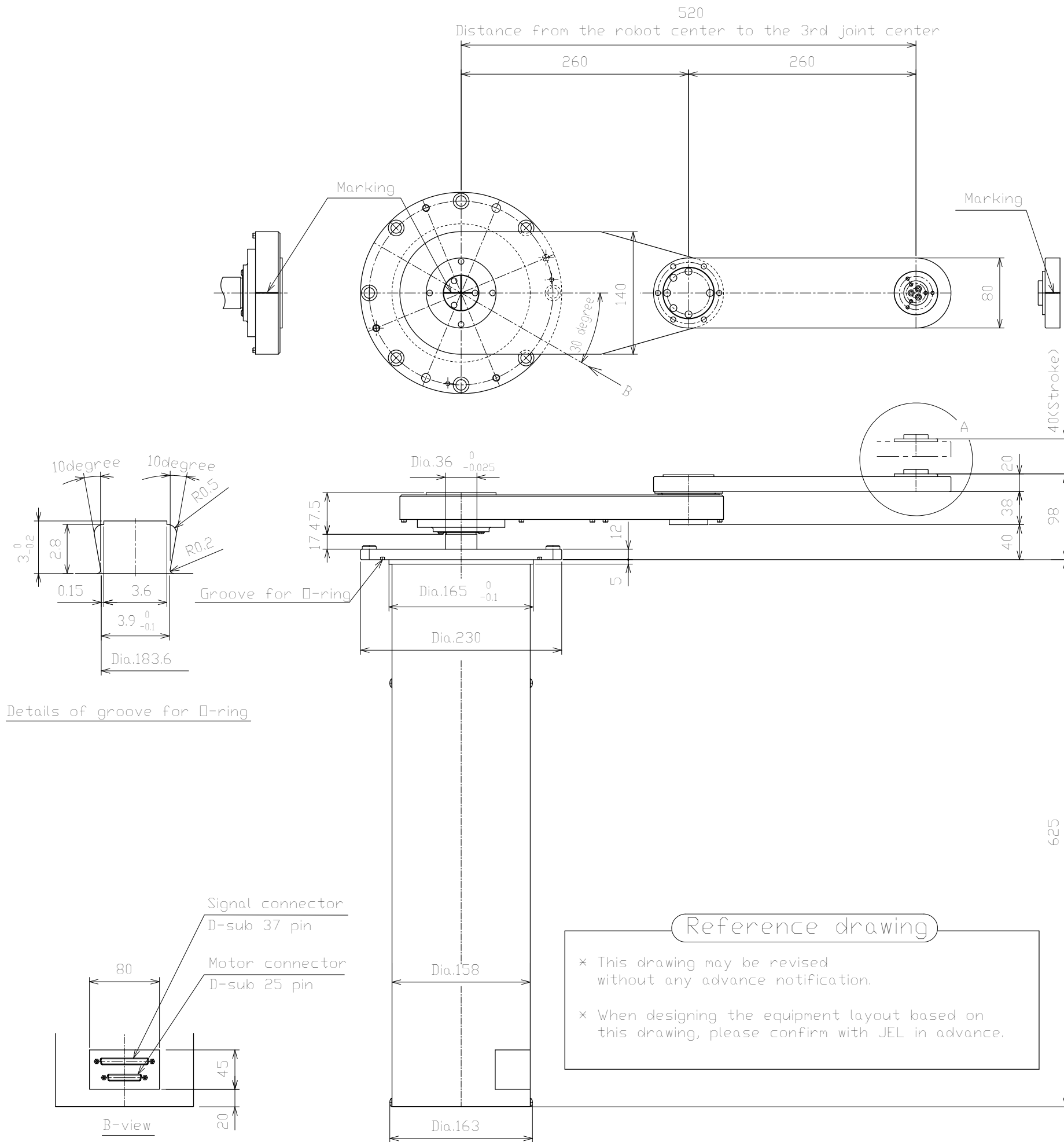


Reference drawing

* This drawing may be revised without any advance notification.
 * When designing the equipment layout based on this drawing, please confirm with JEL in advance.

本図の内容は、株式会社ジェーイーエルが所有権を有するもので機密扱いとなっております。許可なく複写したり、第三者にこれを公開することのないようお願い致します。
 This drawing and the information contained in it are confidential and property of JEL Corporation. Thus cannot be copied or disclosed to a third party without the consent of JEL Corporation.

MODEL 型式	SVCR3160-040-PM		
ISSUED NO. 管理番号	WJ0287E	SCALE 尺度	1/5

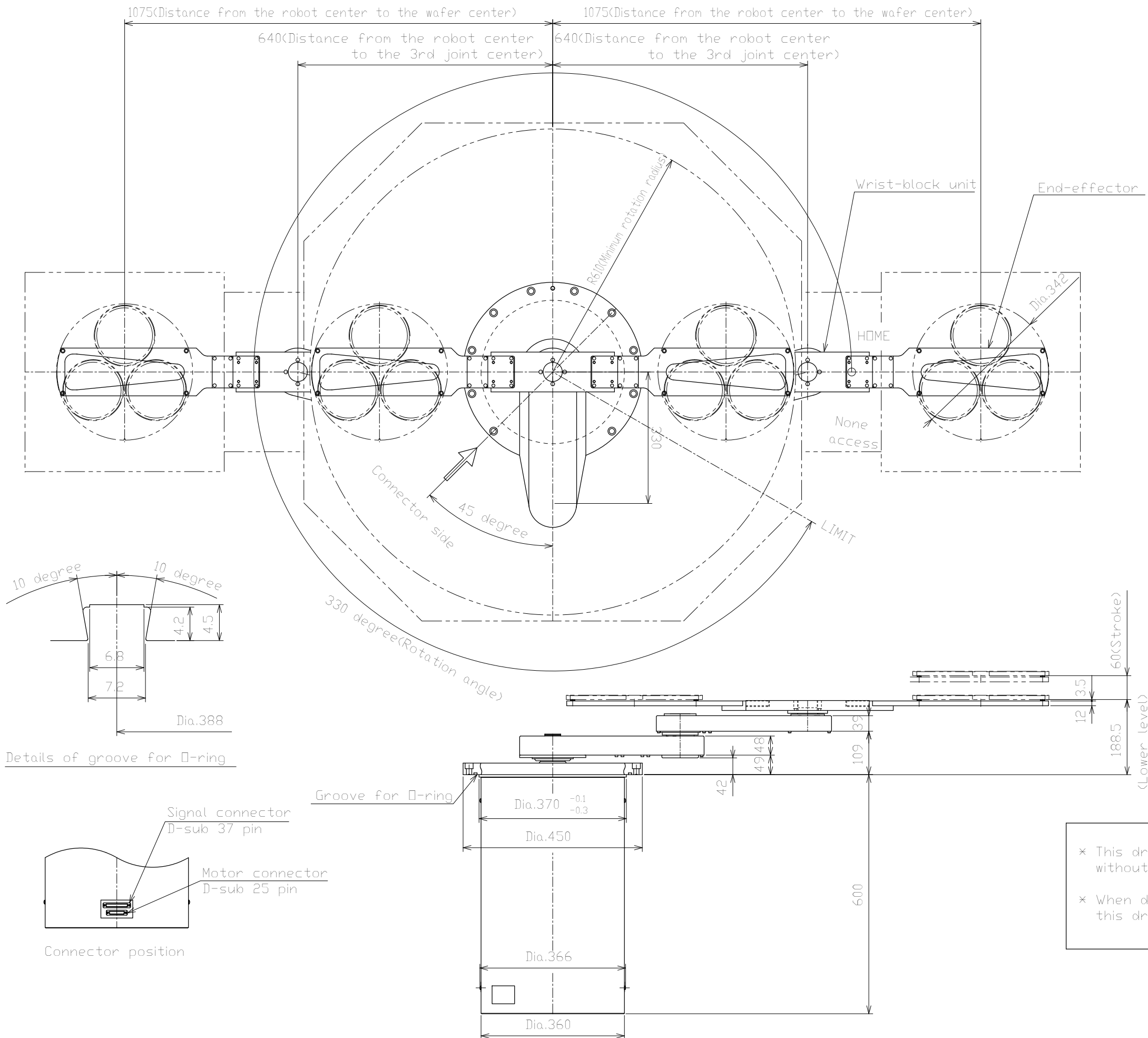


Details of groove for O-ring

Reference drawing

- * This drawing may be revised without any advance notification.
- * When designing the equipment layout based on this drawing, please confirm with JEL in advance.

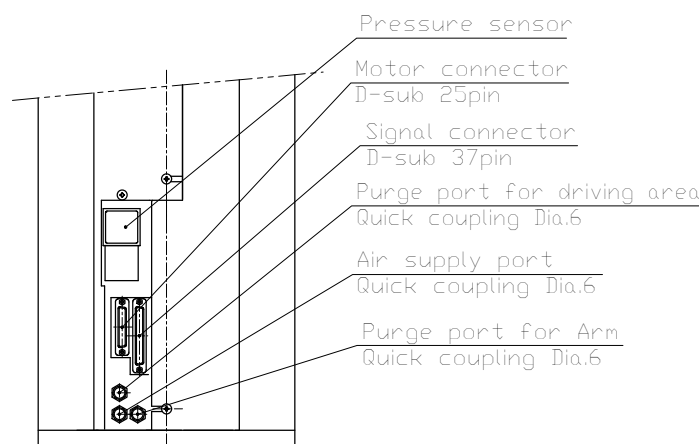
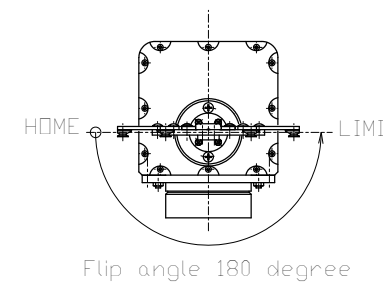
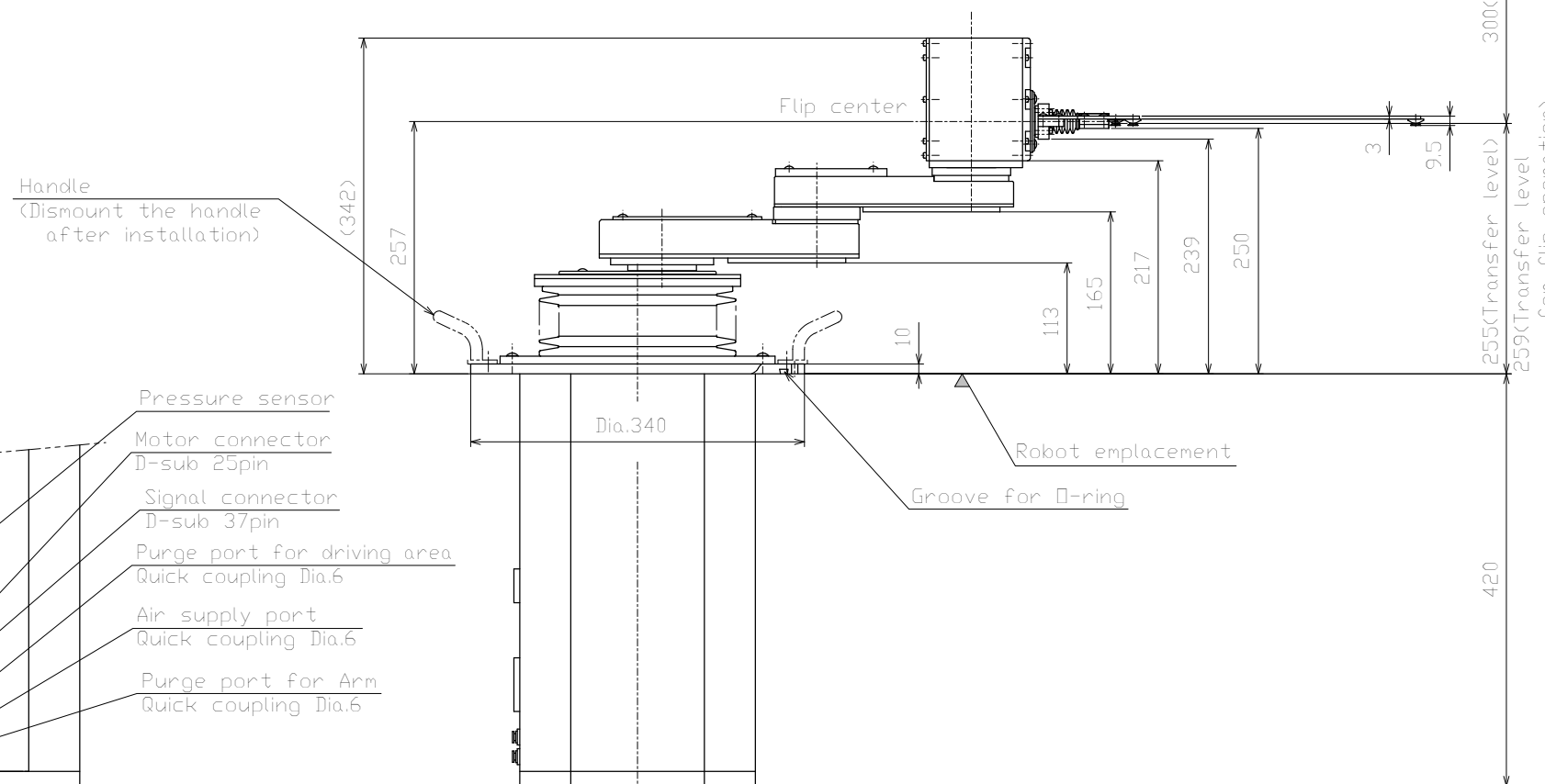
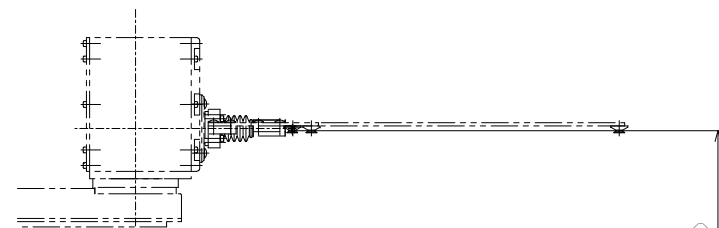
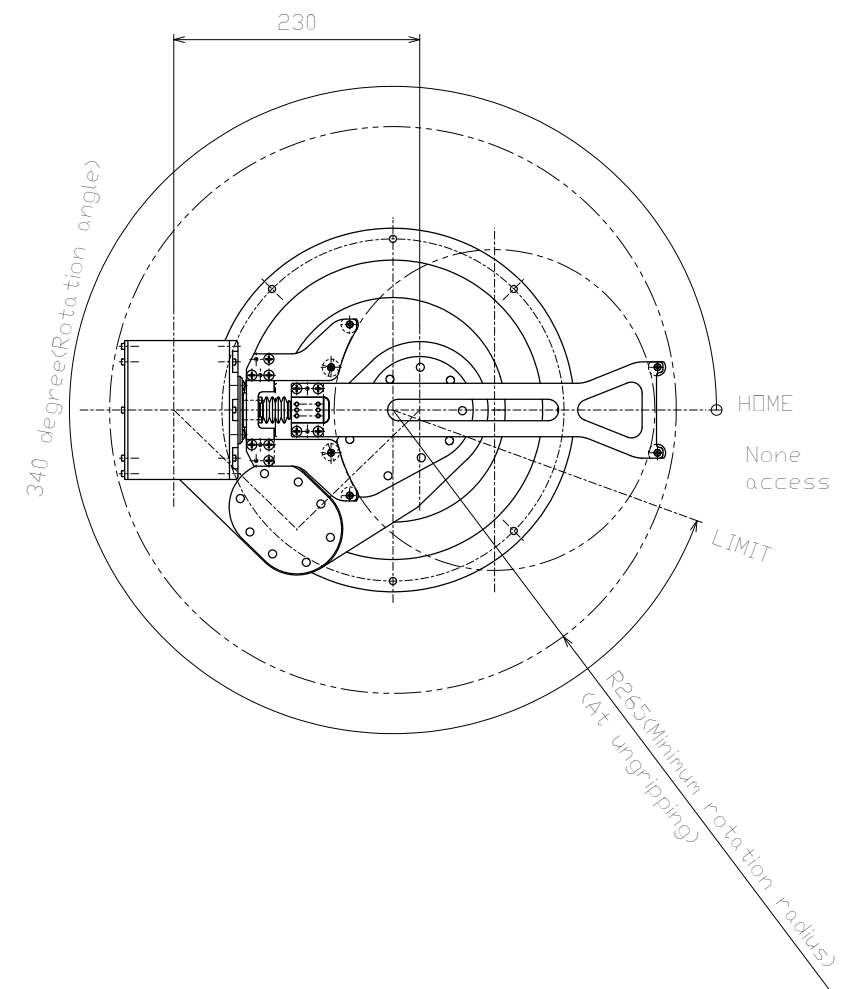
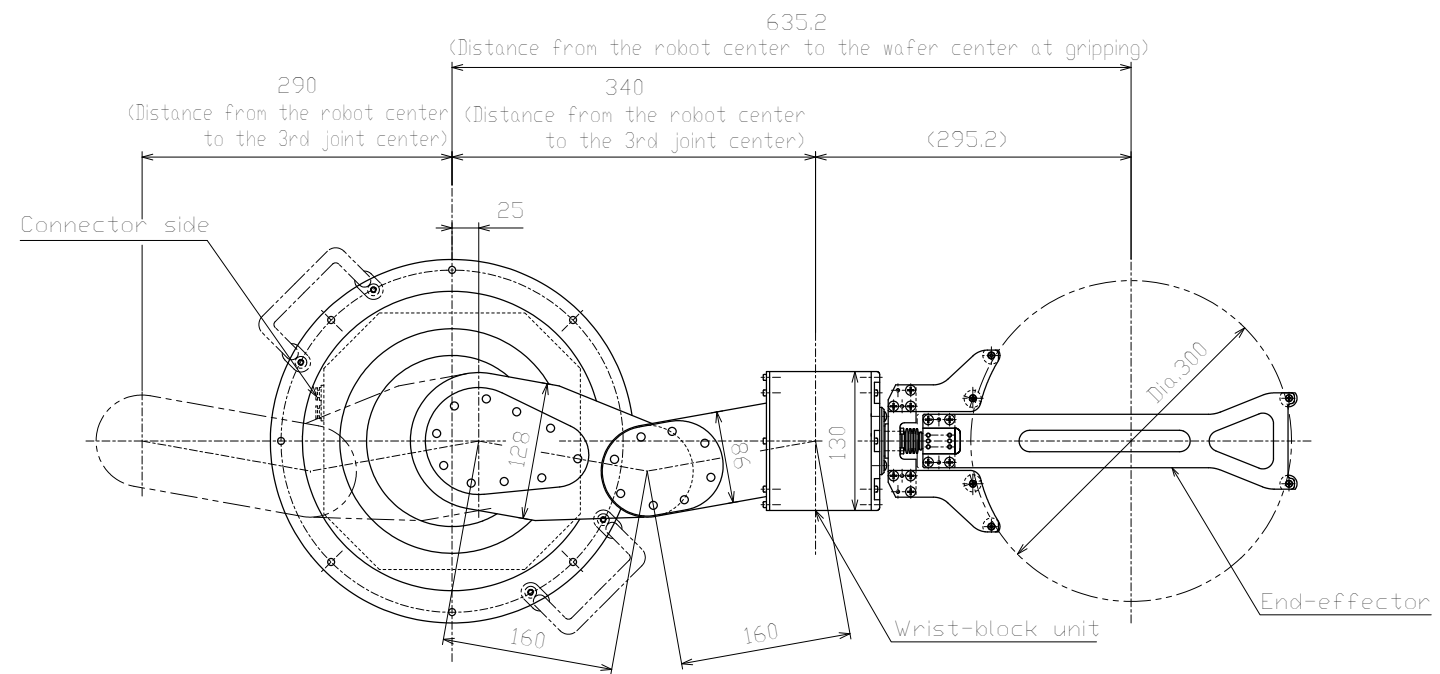
MODEL 型式	SVCR3260-040-PM		
ISSUED NO. 管理番号	WJ0127E	SCALE 尺度	1/5



Reference drawing

- × This drawing may be revised without any advance notification.
- × When designing the equipment layout based on this drawing, please confirm with JEL in advance.

MODEL 型式	SVCR3330S-060-PM		
ISSUED NO. 管理番号	WJ0135E	SCALE 尺度	1/10



Details of connection

Reference drawing

- * This drawing may be revised without any advance notification.
- * When designing the equipment layout based on this drawing, please confirm with JEL in advance.

本図の内容は、株式会社ジェーイーエルが所有権を有するもので機密扱いとなっております。許可なく複写したり、第三者にこれを公開することのないようお願い致します。
This drawing and the information contained in it are confidential and property of JEL Corporation. Thus cannot be copied or disclosed to a third party without the consent of JEL Corporation.

JEL JEL Corporation

MODEL 型式	SWCR3160CS-300-PM		
ISSUED NO. 管理番号	WJ0295E	SCALE 尺度	1/5