

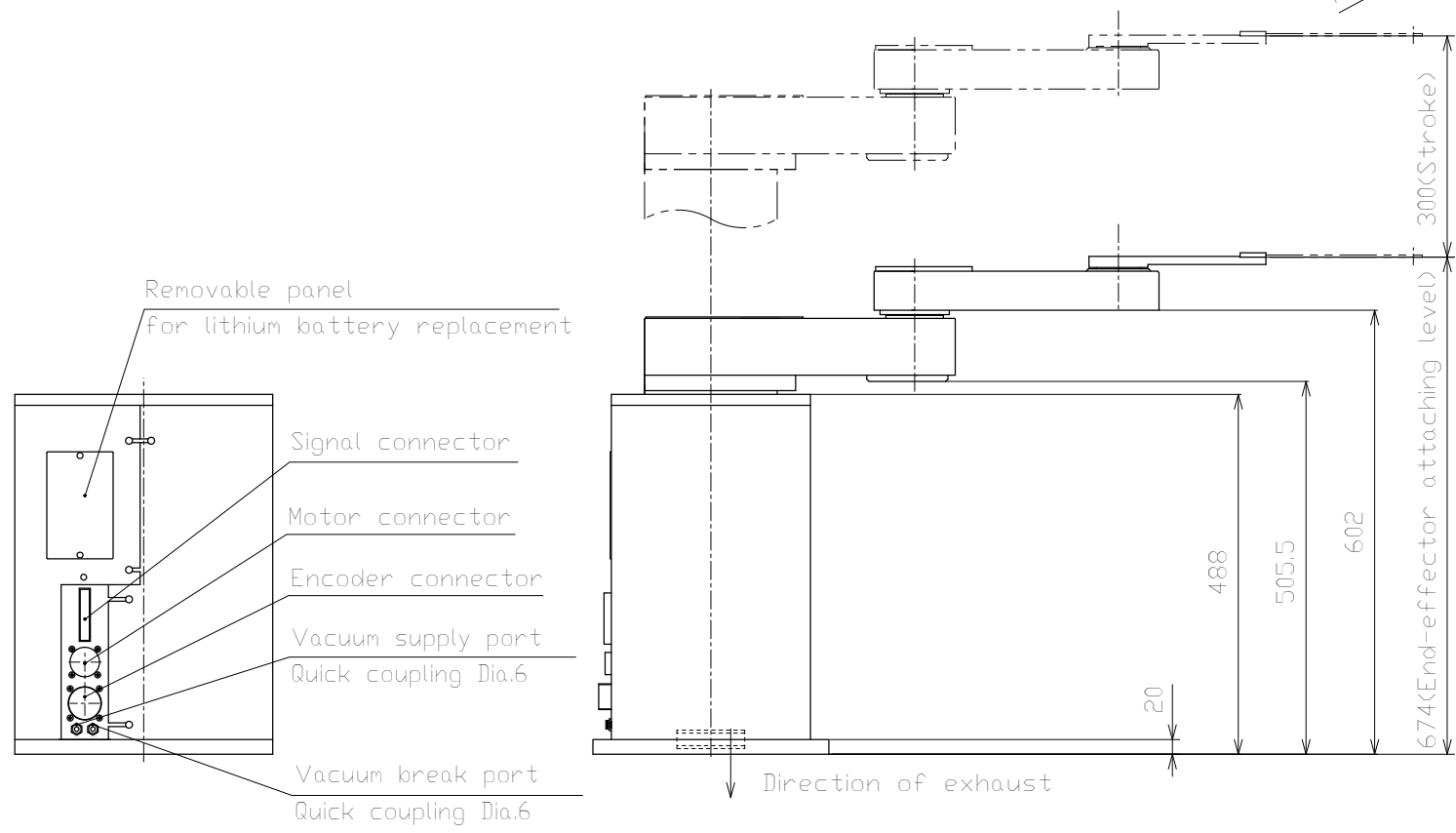
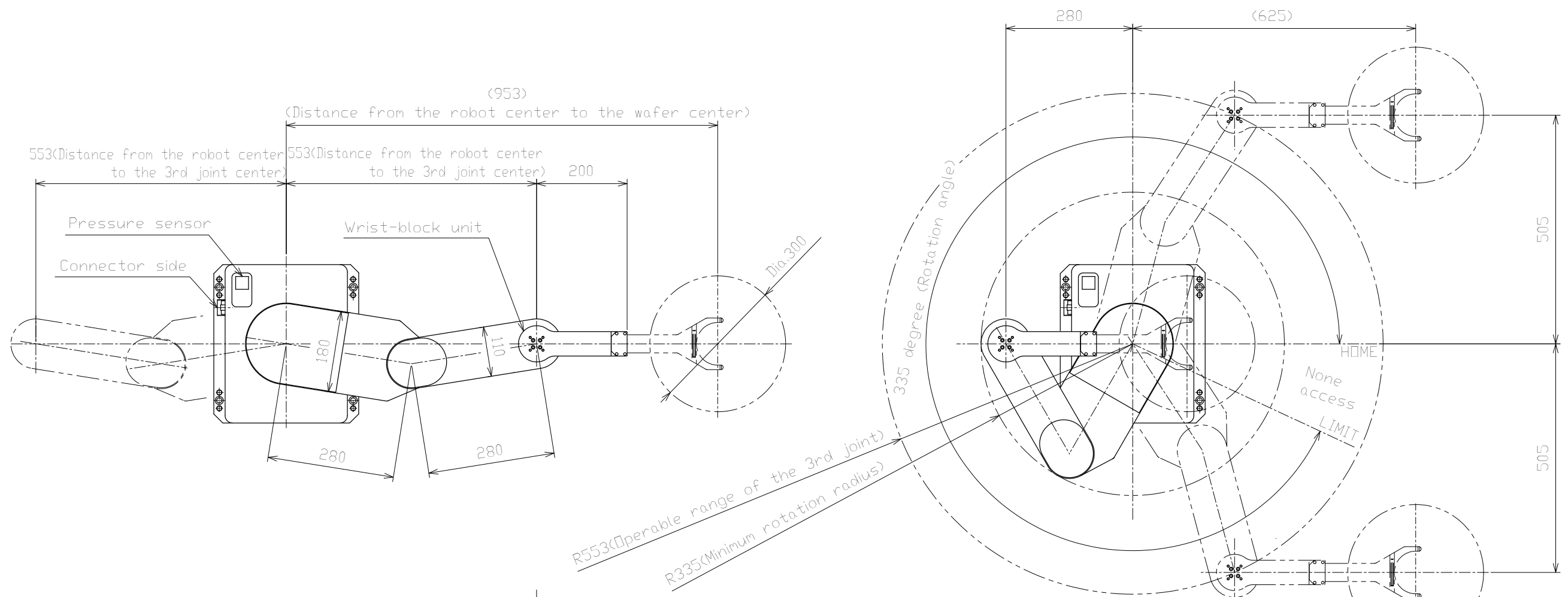
Reference drawing

- × This drawing may be revised without any advance notification.
- × When designing the equipment layout based on this drawing, please confirm with JEL in advance.

本図の内容は、株式会社ジェーイーエルが所有権を有するもので機密扱いとなっております。許可なく複写したり、第三者にこれを公開することのないようお願い致します。  
 This drawing and the information contained in it are confidential and property of JEL.  
 This cannot be copied or disclosed to a third party without the consent of JEL.

**JEL** JEL Corporation

MODEL 型式	GCR4210-300-AM		
ISSUED NO. 管理番号	WJ0004E	SCALE 尺度	1/5

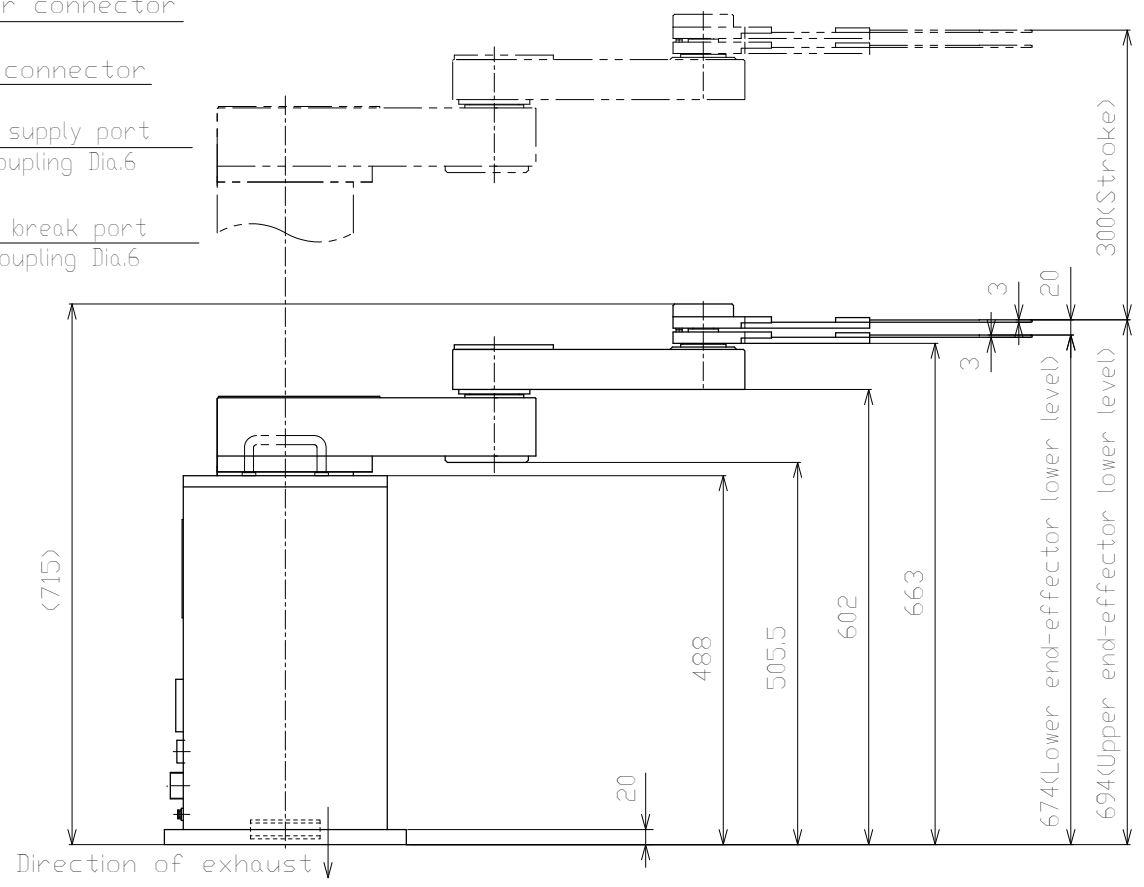
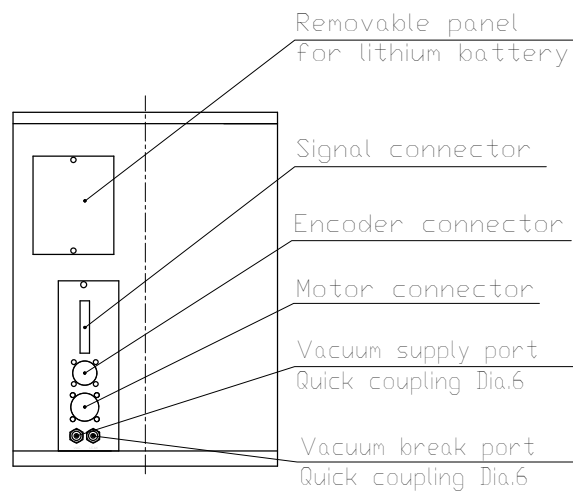
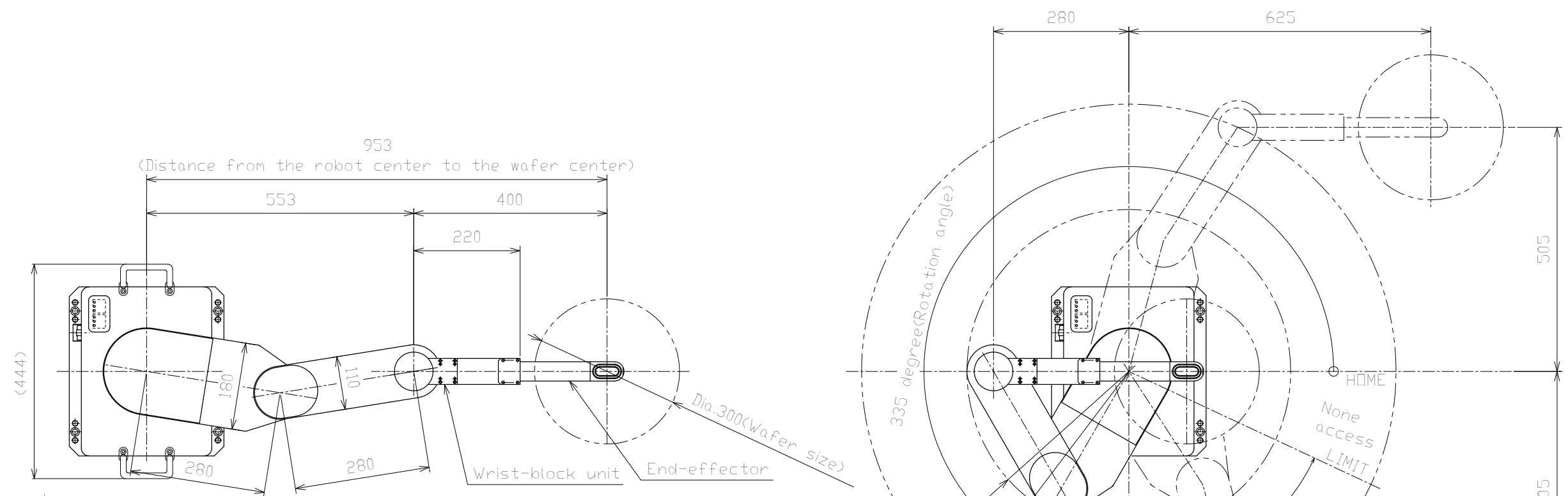


Details of connection

Reference drawing

- × This drawing may be revised without any advance notification.
- × When designing the equipment layout based on this drawing, please confirm with JEL in advance.

MODEL 型式	GCR4280-300-AM		
ISSUED NO. 管理番号	WJ0208E	SCALE 尺度	1/10

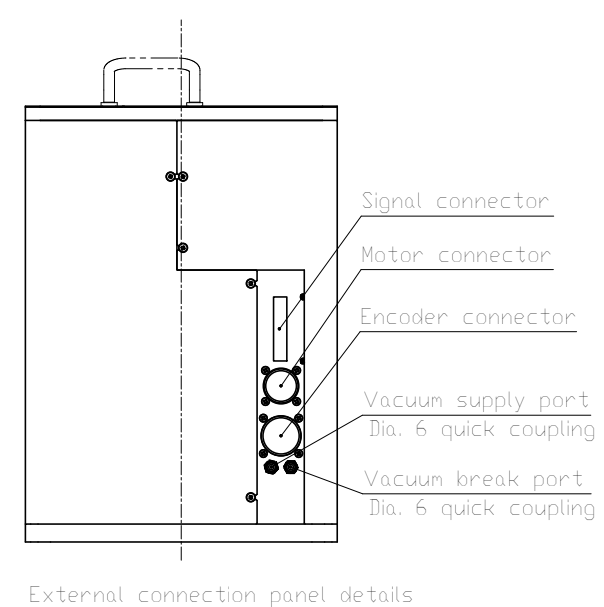
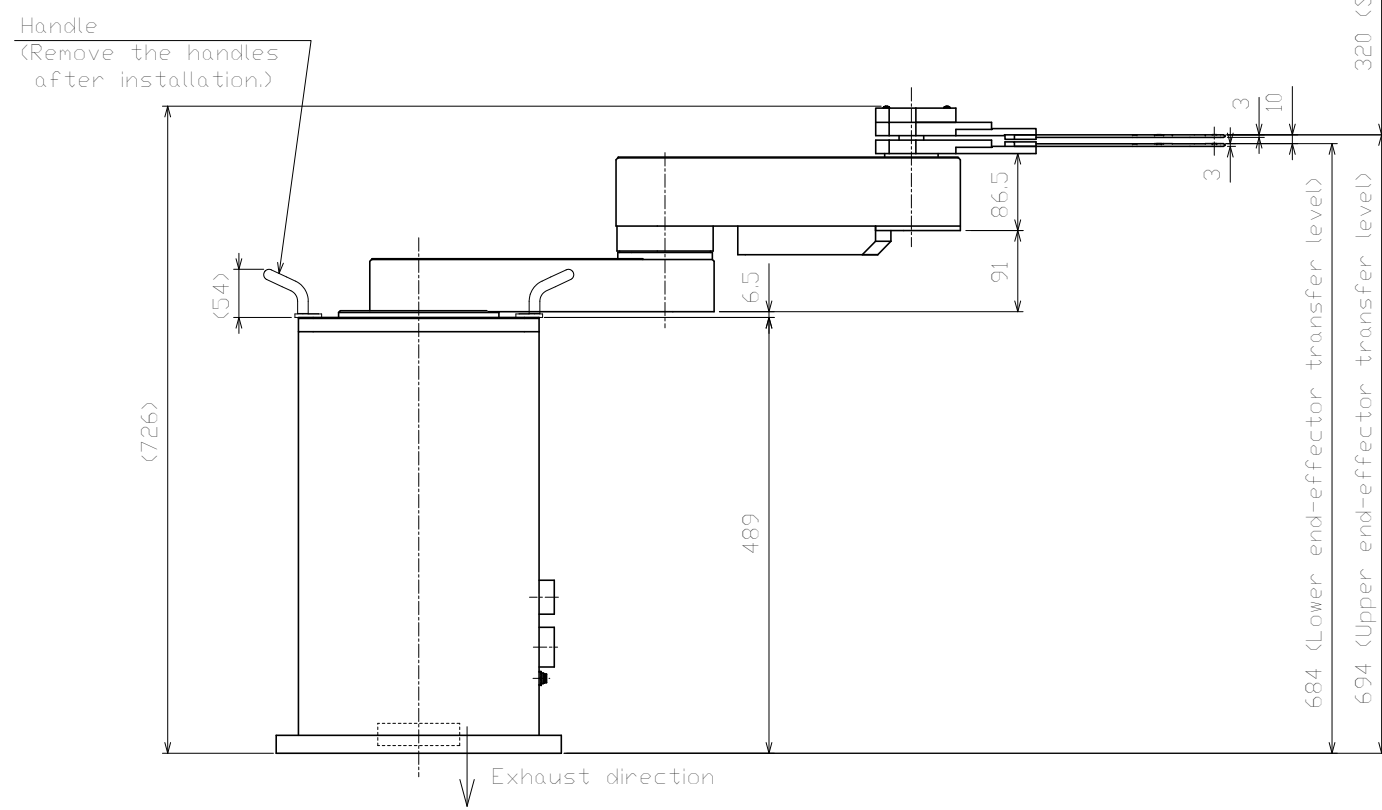
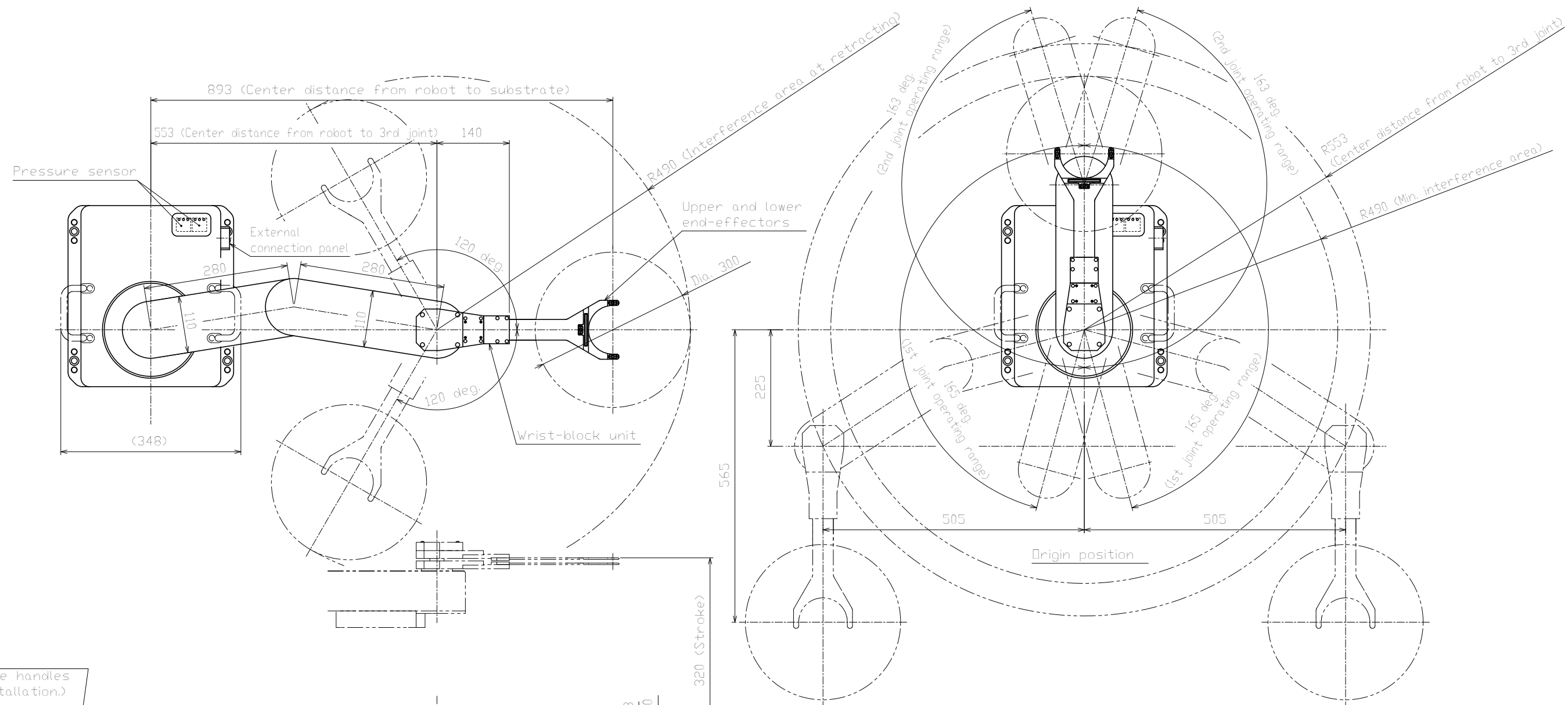


R335(Minimum rotation radius)  
 R553(Operable range of the 3rd Joint)

Reference drawing

- \* This drawing may be revised without any advance notification.
- \* When designing the equipment layout based on this drawing, please confirm with JEL in advance.

MODEL 型式	GTCR5280-300-AM		
ISSUED NO. 管理番号	WJ0210AE	SCALE 尺度	1/10



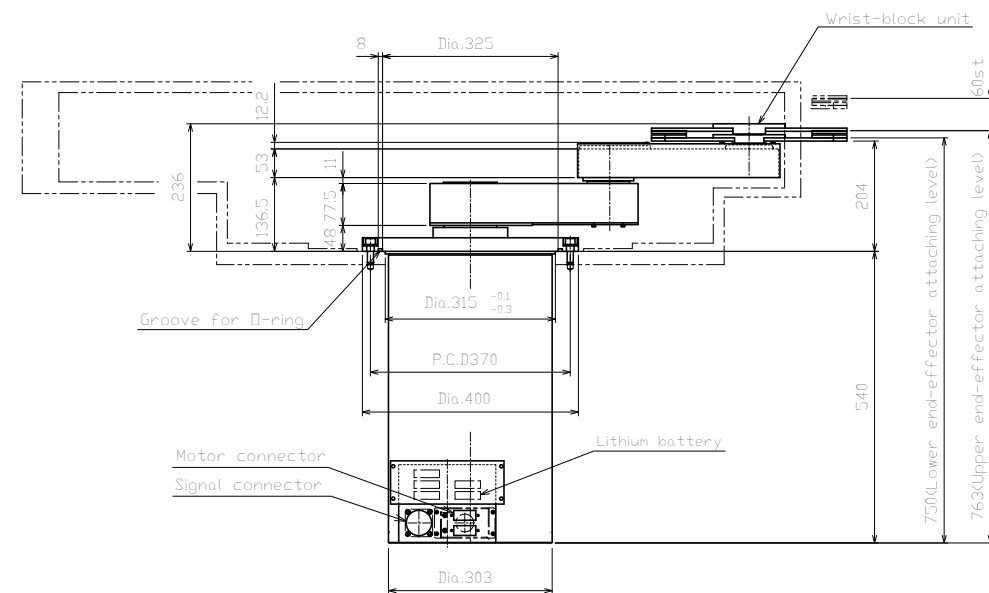
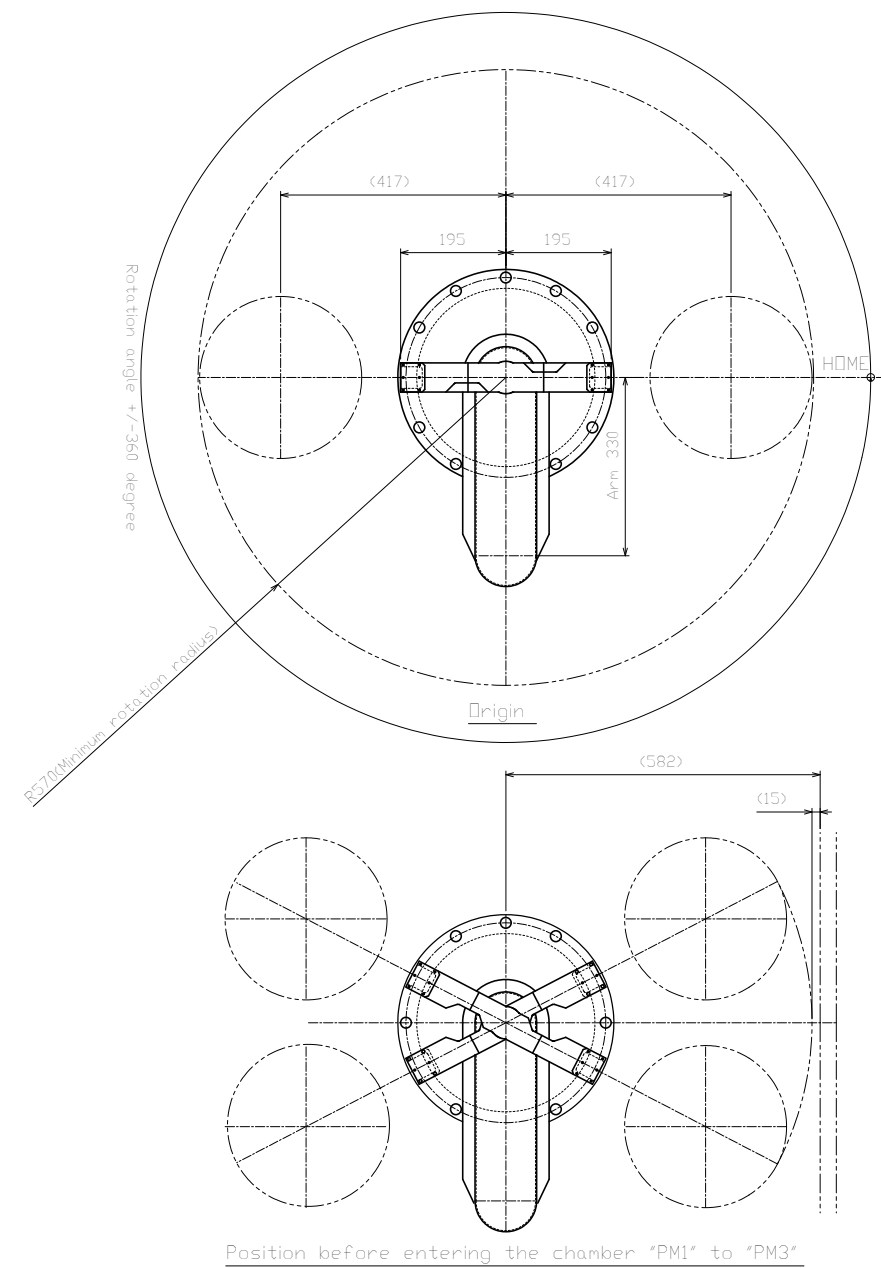
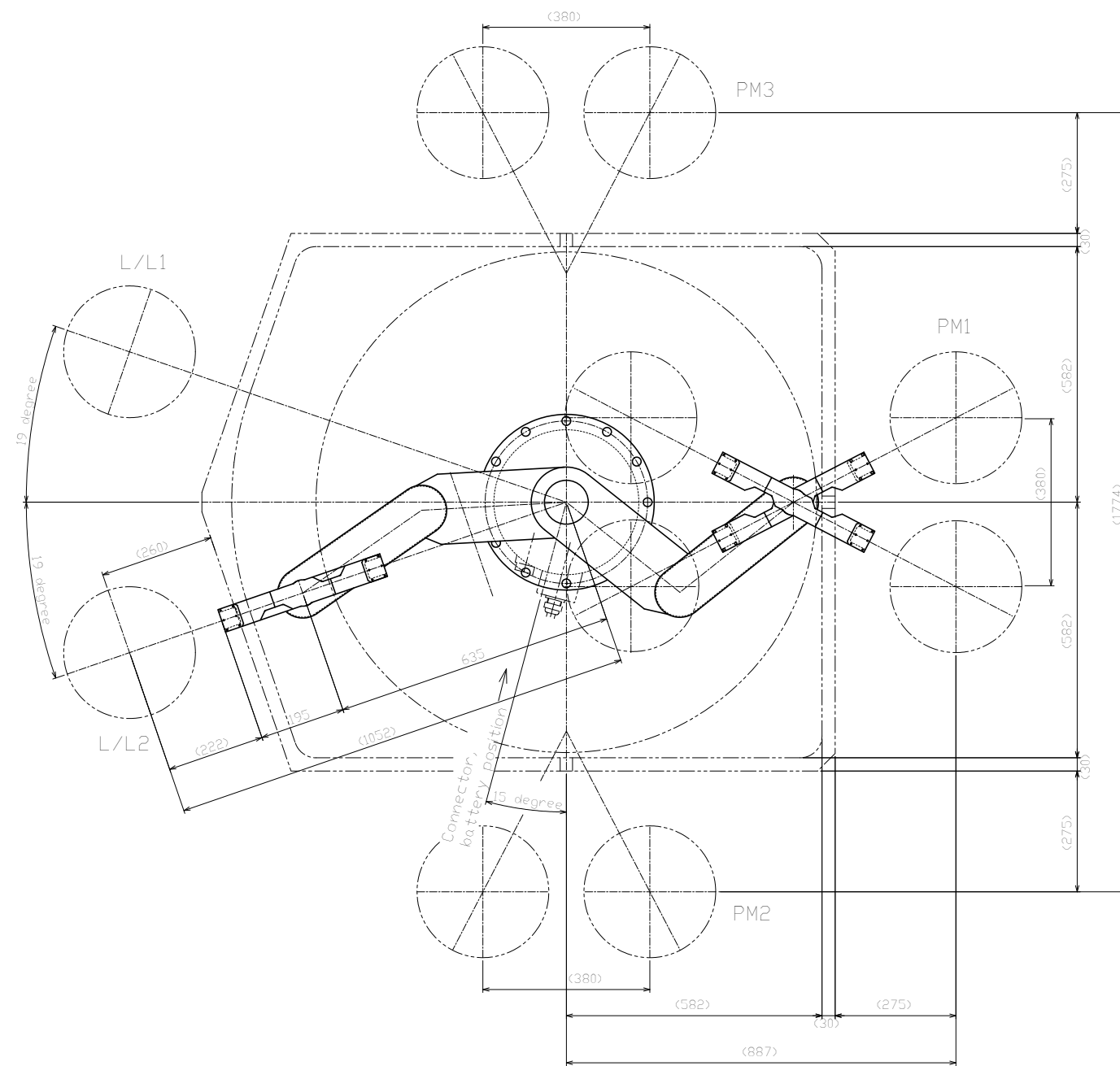
Reference drawing

- \* This drawing may be revised without any advance notification.
- \* When designing the equipment layout based on this drawing, please confirm with JEL in advance.

本図の内容は、株式会社ジェーイーエルが所有権を有するもので機密扱いとなっております。許可なく複写したり、第三者にこれを公開することのないようお願い致します。  
 This drawing and the information contained in it are confidential and property of JEL Corporation. Thus cannot be copied or disclosed to a third party without the consent of JEL Corporation.

JEL JEL Corporation

MODEL 型式	GTFR5280-320-DM		
ISSUED NO. 管理番号	WJ0331E	SCALE 尺度	1 / 6



Reference drawing

- \* This drawing may be revised without any advance notification.
- \* When designing the equipment layout based on this drawing, please confirm with JEL in advance.

本図の内容は、株式会社ジェーイーエルが所有権を有するもので機密扱いとなっております。許可なく複写したり、第三者にこれを公開することのないようお願い致します。  
 This drawing and the information contained in it are confidential and property of JEL Corporation.  
 Thus cannot be copied or disclosed to a third party without the consent of JEL Corporation.

JEL JEL Corporation

MODEL 型式	GTVCR5330-060-AM		
ISSUED NO. 管理番号	WJ0315E	SCALE 尺度	1/7