

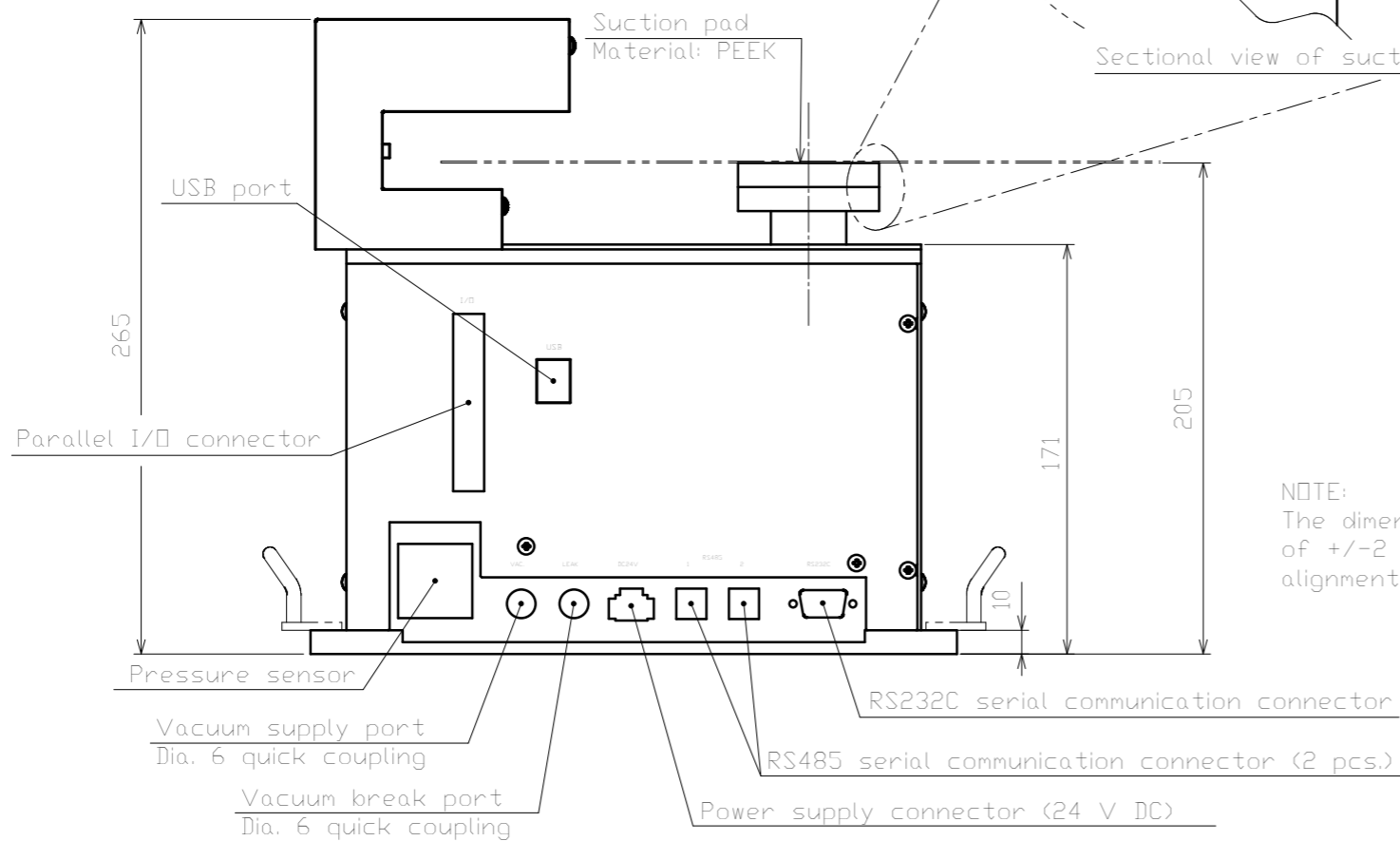
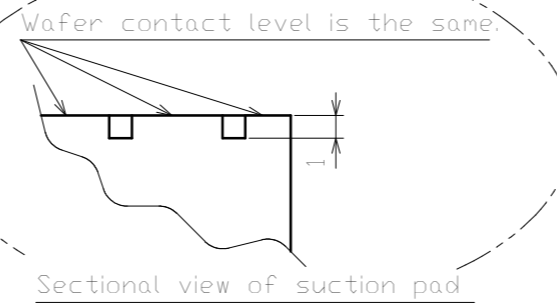
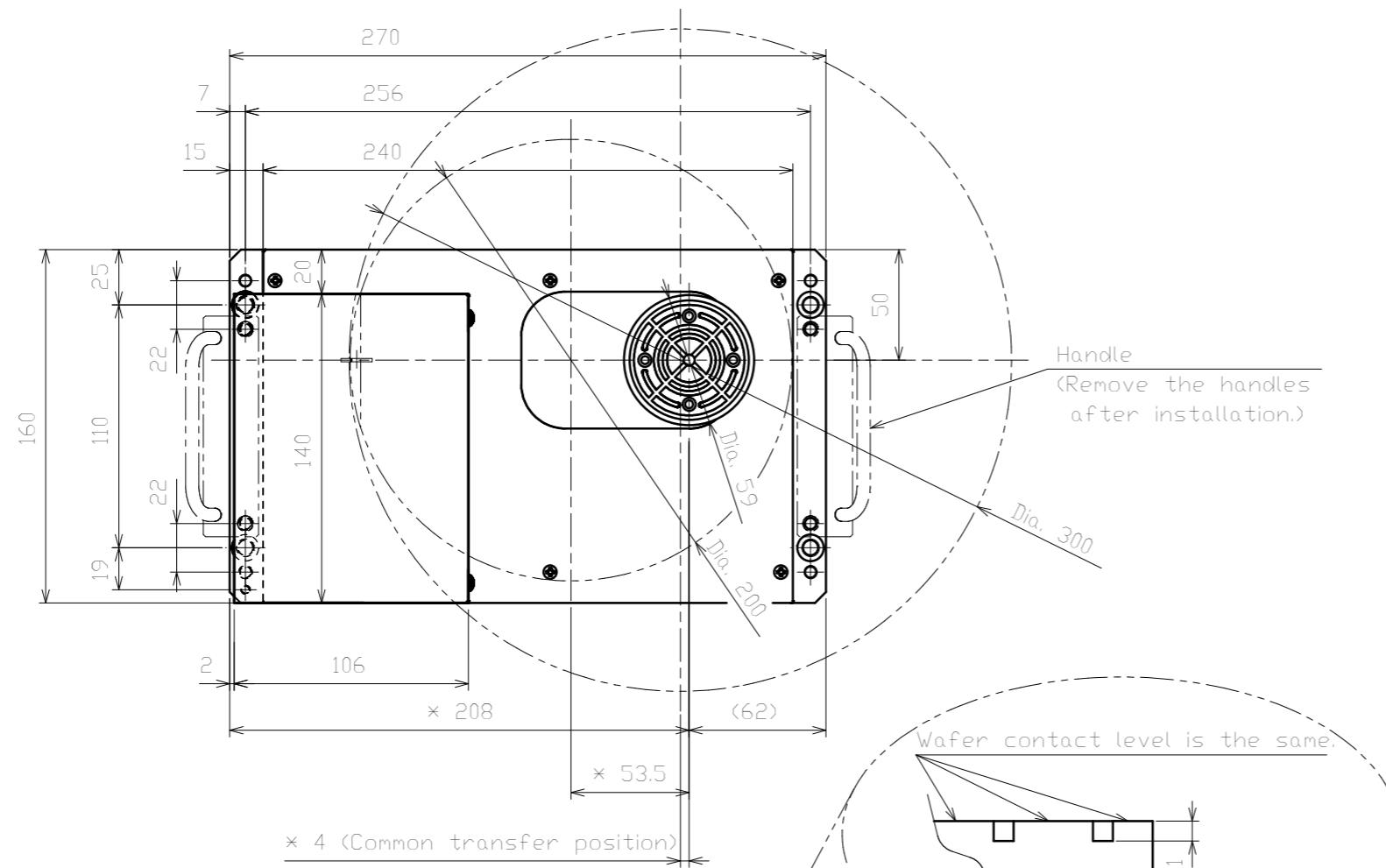
Reference drawing

- × This drawing may be revised without any advance notification.
- × When designing the equipment layout based on this drawing, please confirm with JEL in advance.

本図の内容は、株式会社ジェーイーエルが所有権を有するもので機密扱いとなっております。許可なく複写したり、第三者にこれを公開することのないようお願い致します。  
 This drawing and the information contained in it are confidential and property of JEL.  
 Thus cannot be copied or disclosed to a third party without the consent of JEL.

**JEL** JEL Corporation

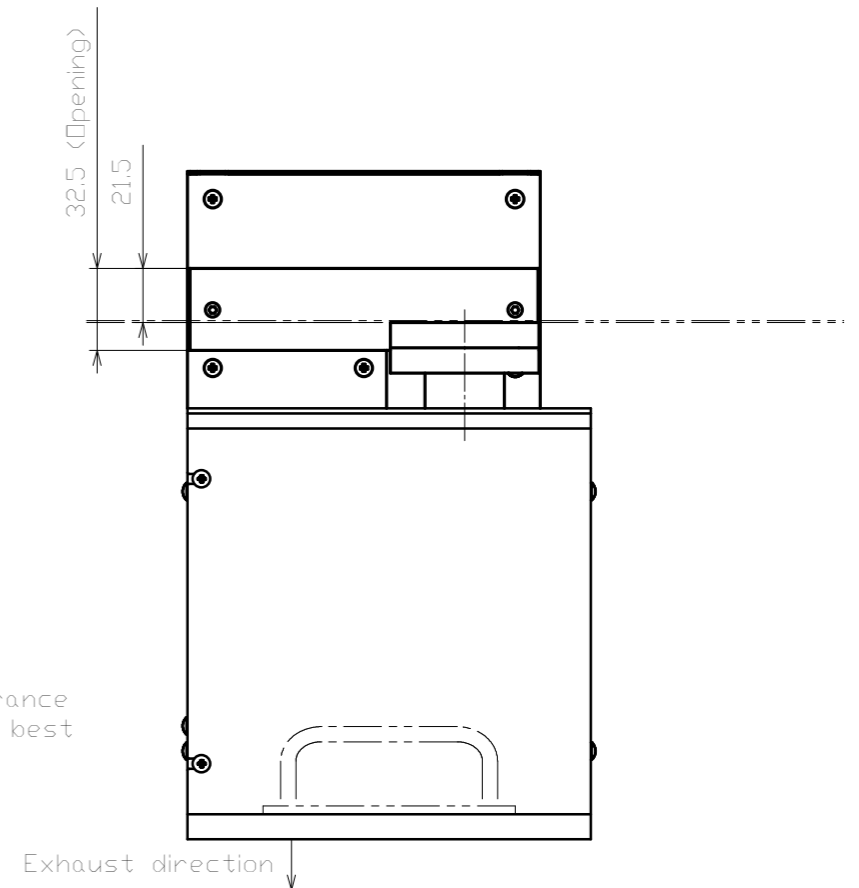
MODEL 型式	SAL20C1		
ISSUED NO. 管理番号	WJ0036E	SCALE 尺度	1/2

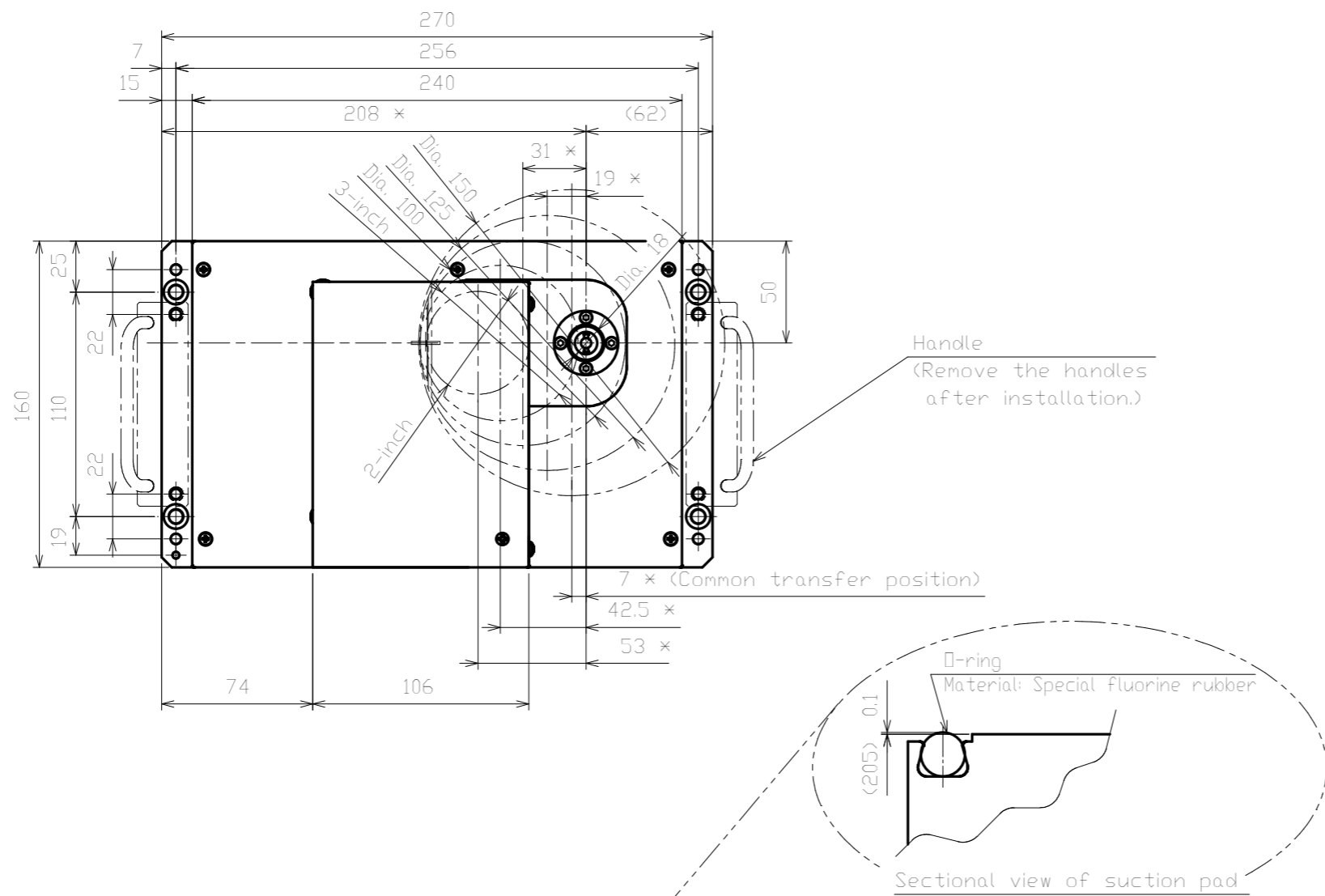


NOTE:  
The dimensions "\*" have a tolerance of +/-2 mm to adjust for the best alignment position.

Reference drawing

- \* This drawing may be revised without any advance notification.
- \* When designing the equipment layout based on this drawing, please confirm with JEL in advance.



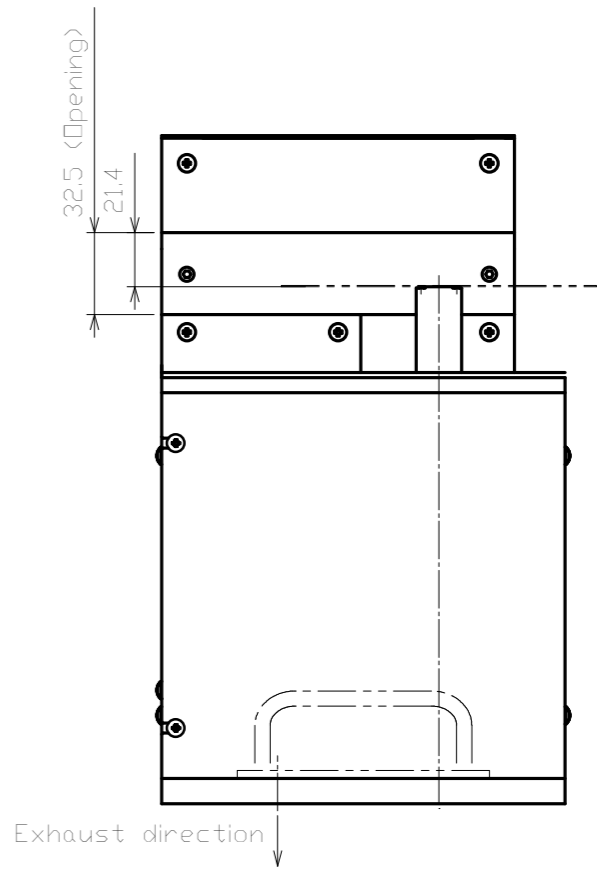
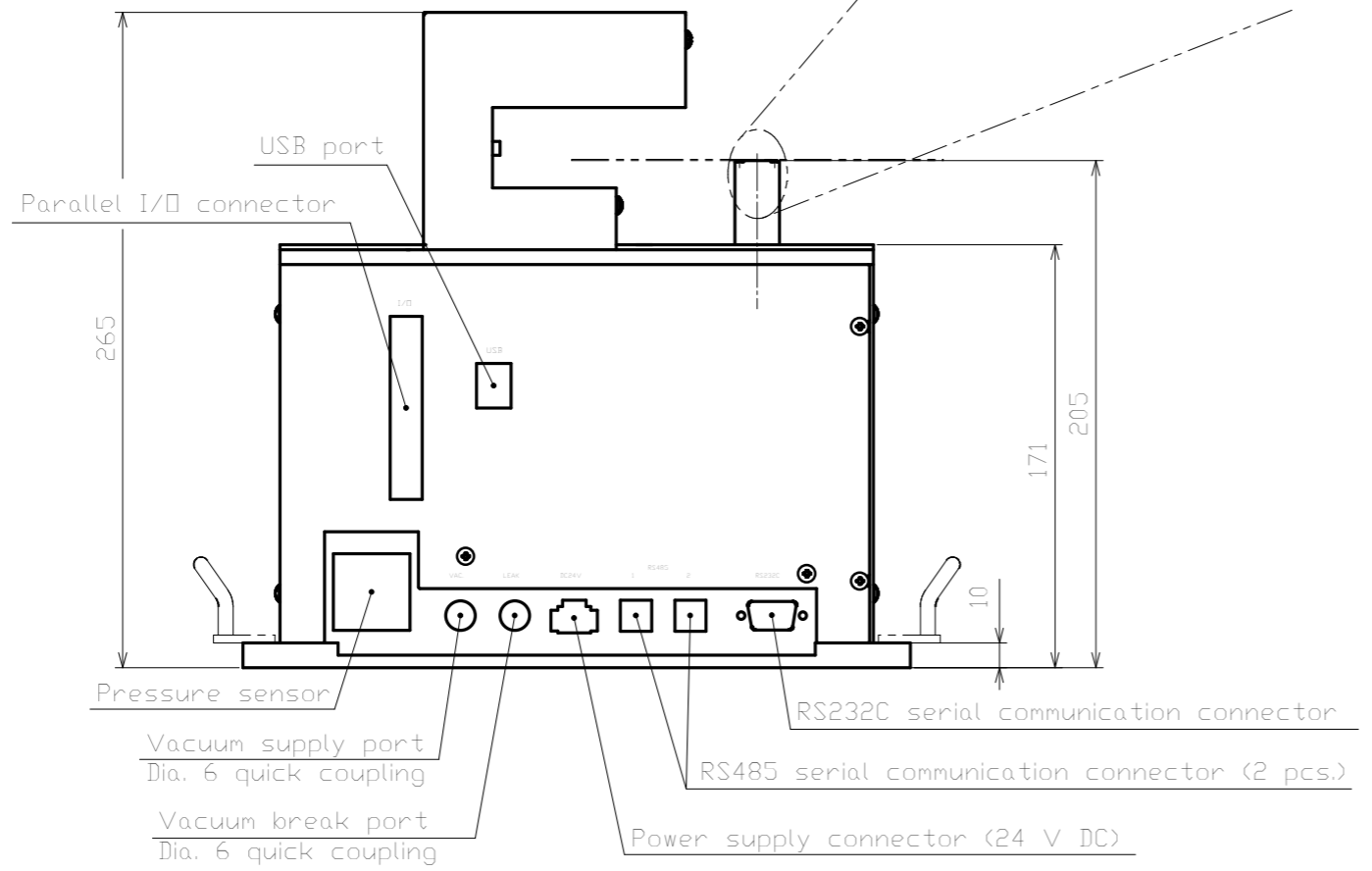
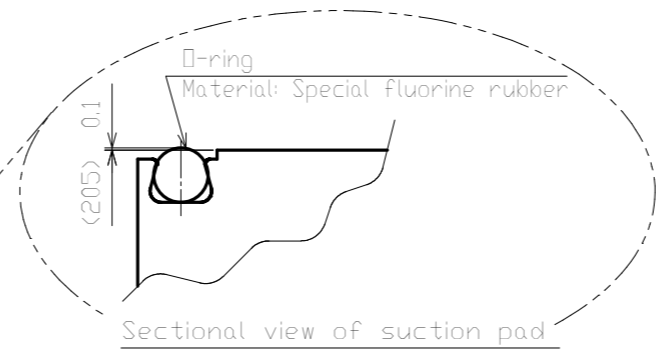


Reference drawing

\* This drawing may be revised without any advance notification.  
 \* When designing the equipment layout based on this drawing, please confirm with JEL in advance.

NOTES

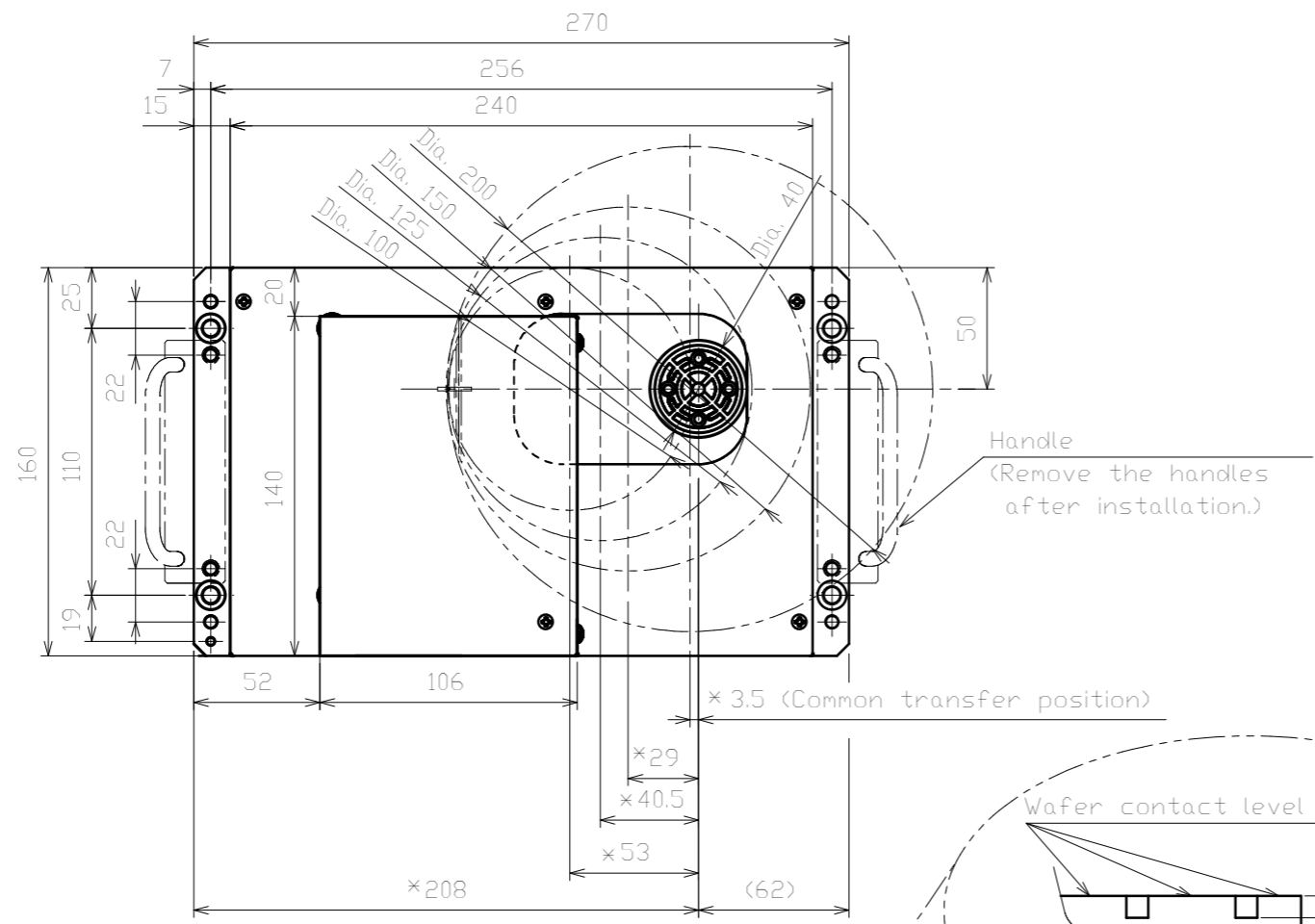
1. The dimensions "\*" have a tolerance of +/-2 mm to adjust for the best alignment position.
2. This drawing is designed for the aligner using wafers without warpage.



本図の内容は、株式会社ジェーイーエルが所有権を有するもので機密扱いとなっております。許可なく複写したり、第三者にこれを公開することのないようお願い致します。  
 This drawing and the information contained in it are confidential and property of JEL Corporation. Thus cannot be copied or disclosed to a third party without the consent of JEL Corporation.

JEL JEL Corporation

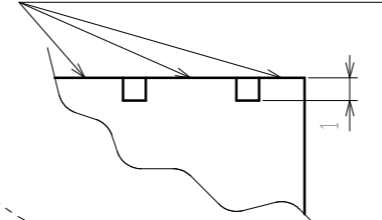
MODEL 型式	SAL3264HV		
ISSUED NO. 管理番号	WJ0336E	SCALE 尺度	1 / 3



Reference drawing

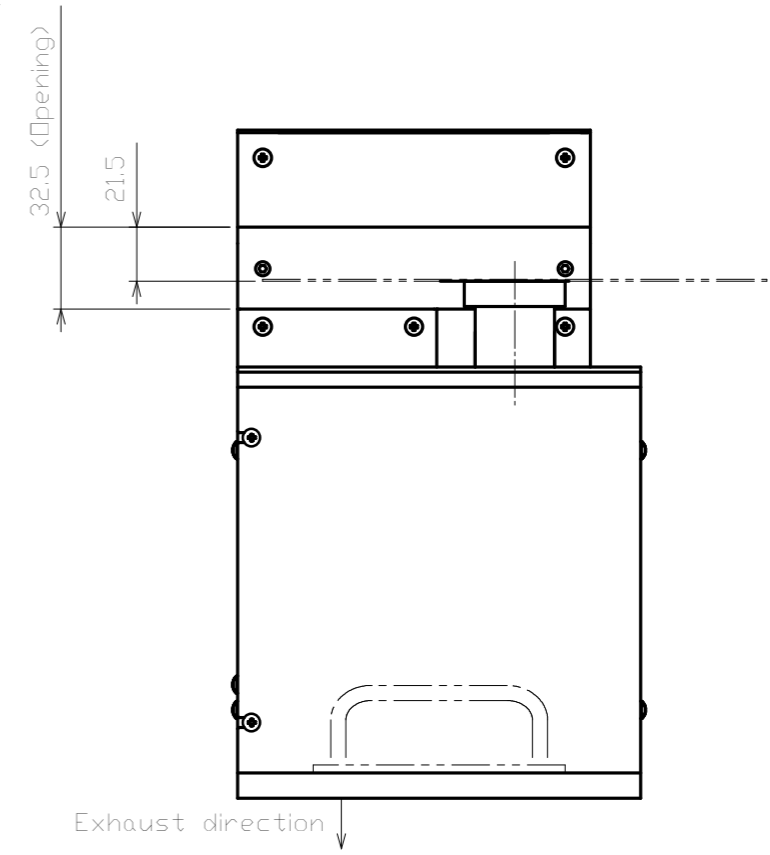
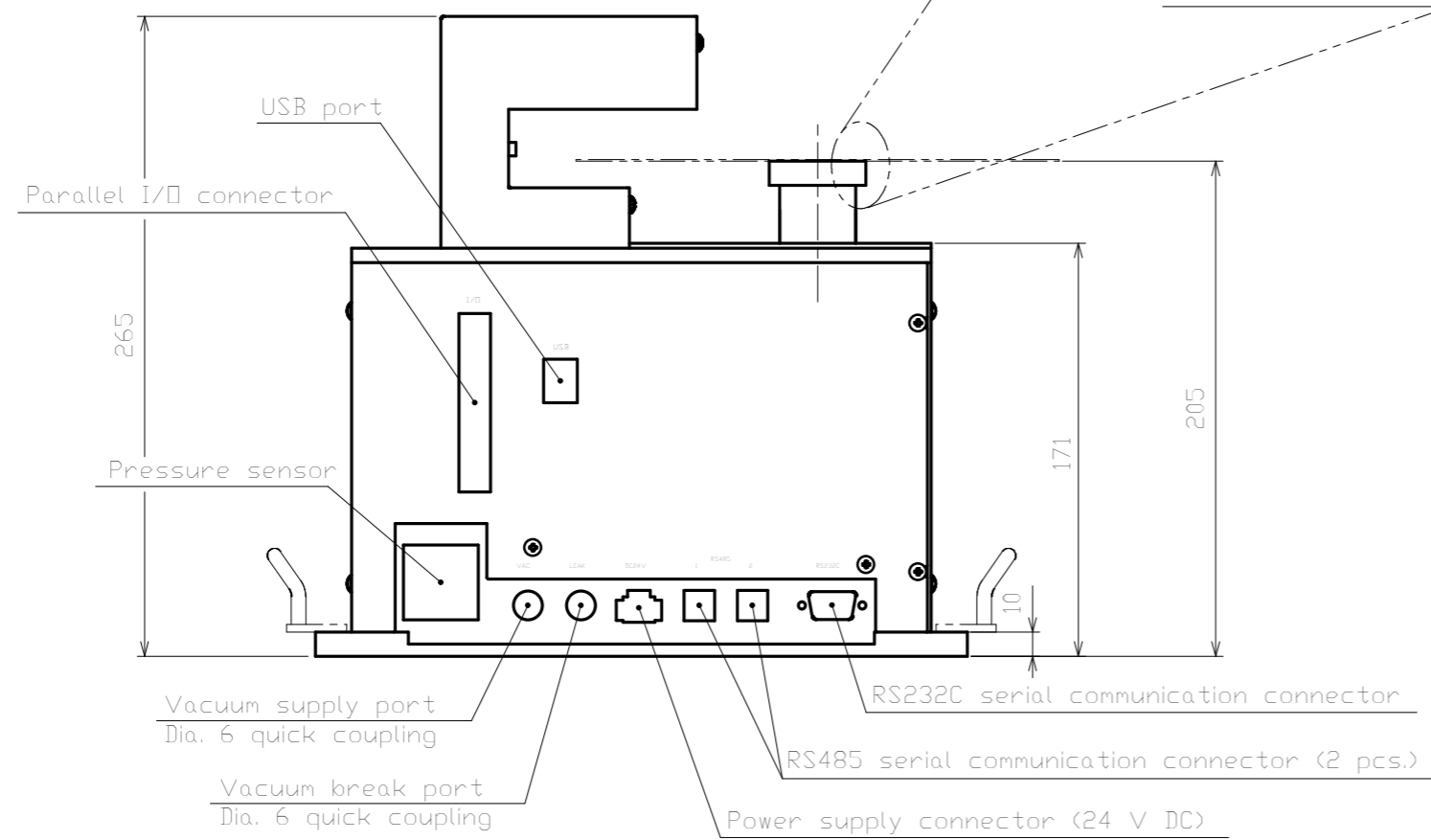
- \* This drawing may be revised without any advance notification.
- \* When designing the equipment layout based on this drawing, please confirm with JEL in advance.

Wafer contact level is the same.



Sectional view of suction pad

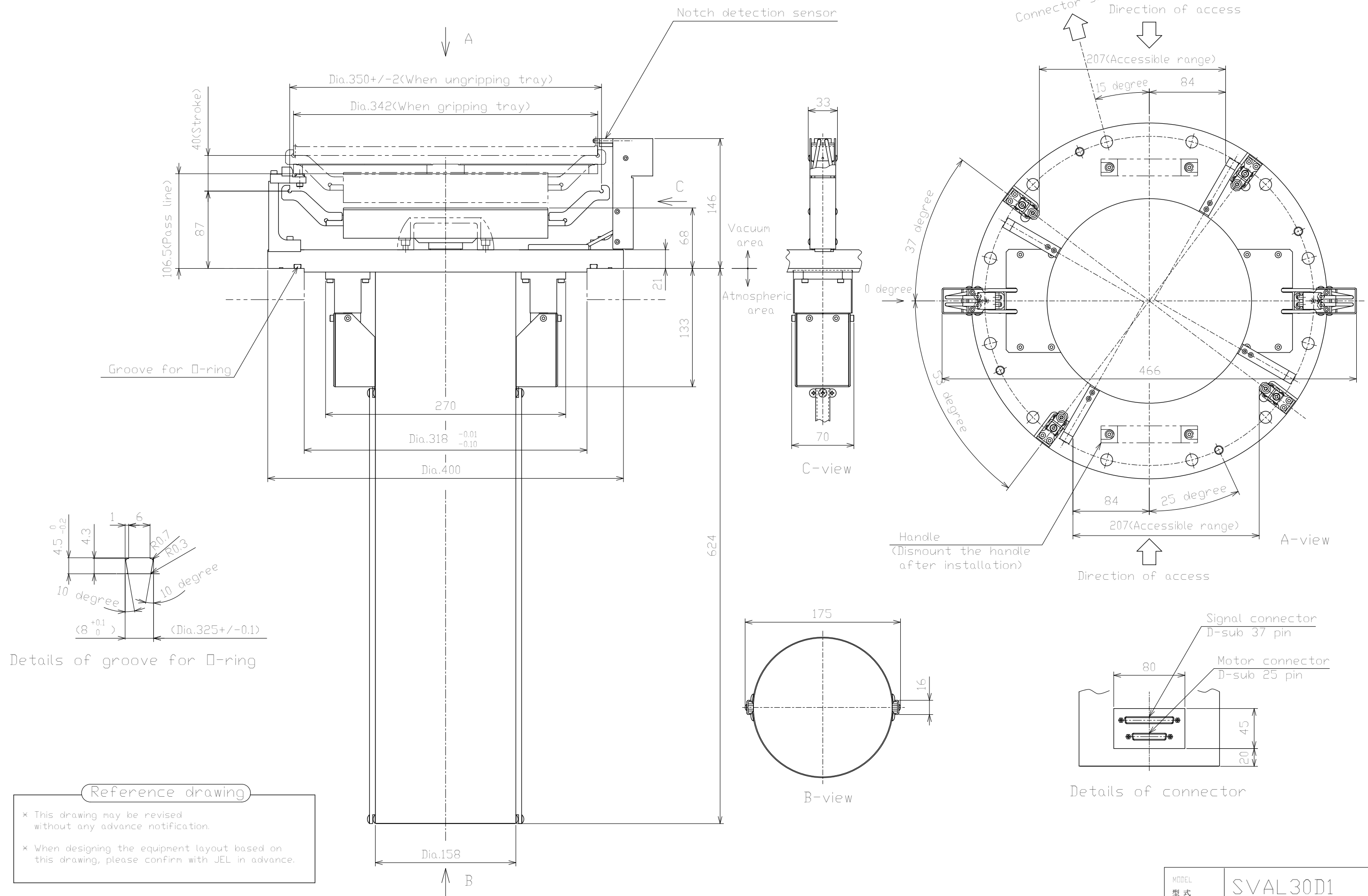
NOTE:  
The dimensions "\*" have a tolerance of +/-2 mm to adjust for the best alignment position.



本図の内容は、株式会社ジェーイーエルが所有権を有するもので機密扱いとなっております。許可なく複写したり、第三者にこれを公開することのないようお願い致します。  
This drawing and the information contained in it are confidential and property of JEL Corporation. Thus cannot be copied or disclosed to a third party without the consent of JEL Corporation.

JEL JEL Corporation

MODEL 型式	SAL3484HV		
ISSUED NO. 管理番号	WJ0337E	SCALE 尺度	1 / 3



Reference drawing

- \* This drawing may be revised without any advance notification.
- \* When designing the equipment layout based on this drawing, please confirm with JEL in advance.

本図の内容は、株式会社ジェーイーエルが所有権を有するもので機密扱いとなっております。許可なく複写したり、第三者にこれを公開することのないようお願い致します。  
 This drawing and the information contained in it are confidential and property of JEL. Thus cannot be copied or disclosed to a third party without the consent of JEL.

JEL JEL Corporation

MODEL 型式	SVAL30D1		
ISSUED NO. 管理番号	WJ0114E	SCALE 尺度	1/4